

CubeSat Structural Frame 1U – 12U



INTRODUCTION

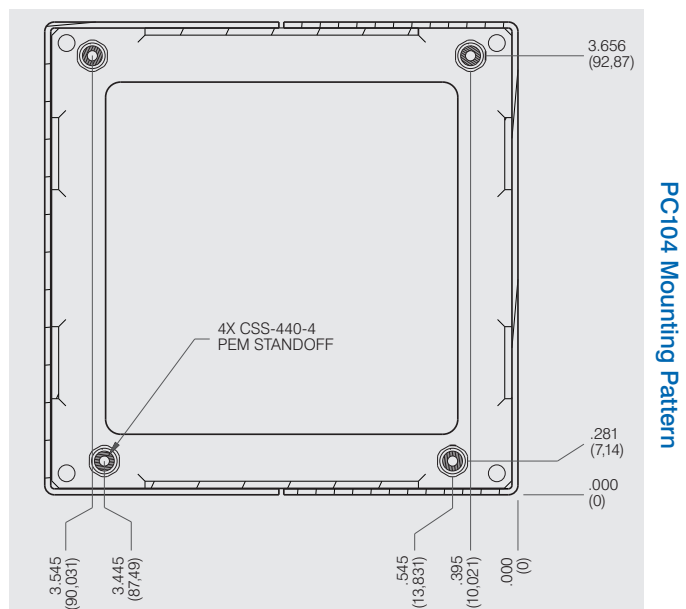
We proudly offer a CubeSat structural frame available in a variety of sizes. CubeSats are primarily used to conduct scientific research in space, specifically low orbit. The CubeSat structural frame can house a variety of electrical components and measurement devices. The versatile design allows for infinite combinations of devices and measurement equipment.

KEY FEATURES

- » Activation switches
- » Custom/modular design
- » Compliant with CubeSat design specification CP-CDS-14.1
- » PC104 mounting pattern

APPLICATIONS

- » Scientific research
- » Education
- » Earth observation
- » New tech demonstrations

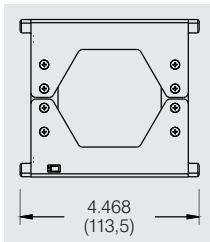


All dimensions are in inches with references in millimeters.

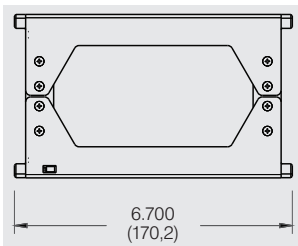
CubeSat Structural Frame 1U – 12U

DRAWINGS & DIMENSIONS

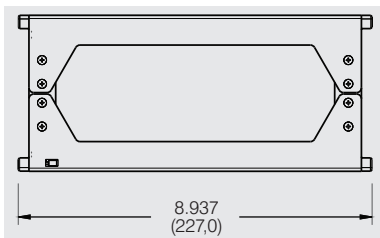
All dimensions are in inches with references in millimeters.



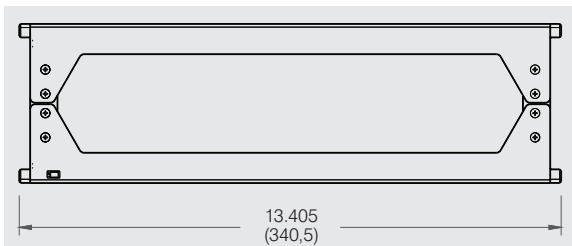
Height:
1U



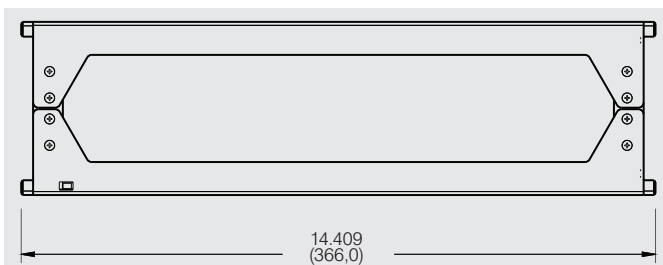
Height:
1.5U



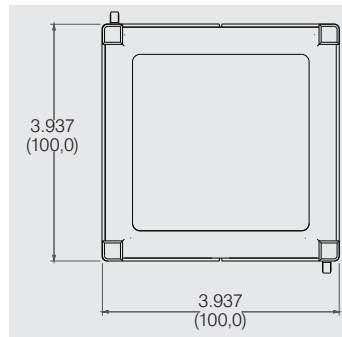
Height:
2U



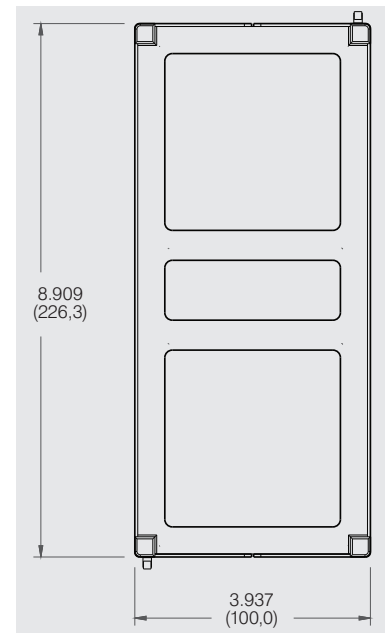
Height:
3U



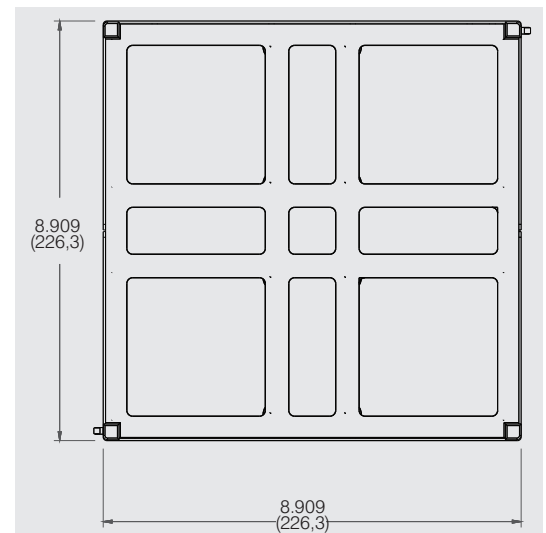
Height:
6U – 12U



LxW: 1U – 3U



LxW: 6U



LxW: 12U