

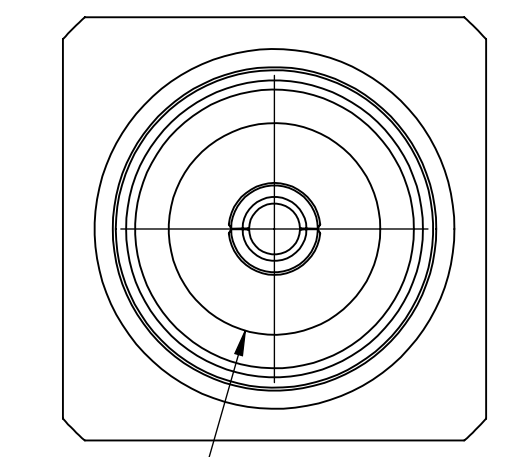
4

3

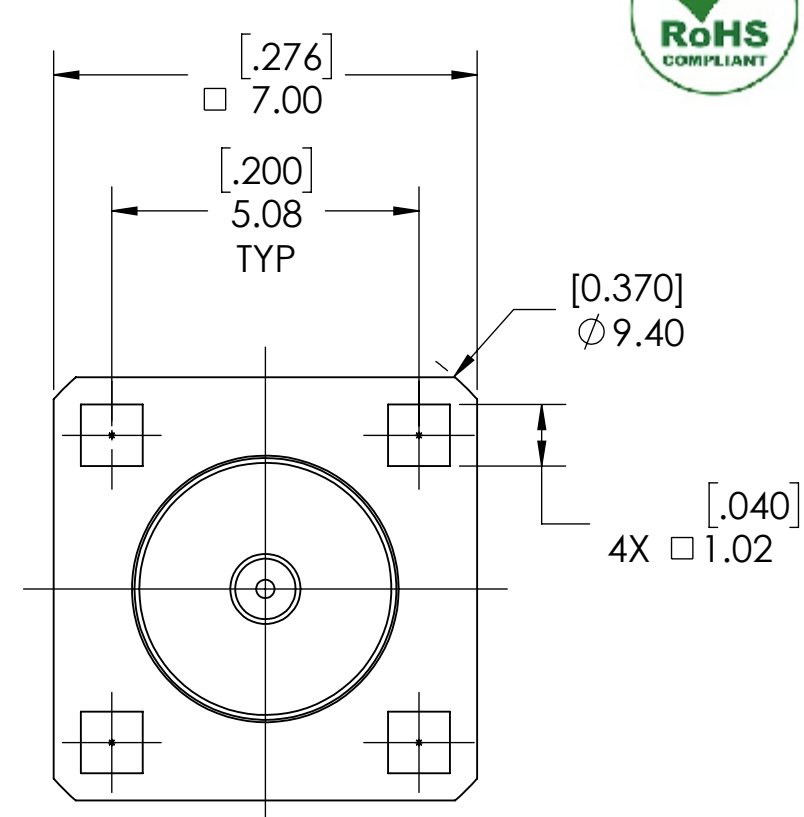
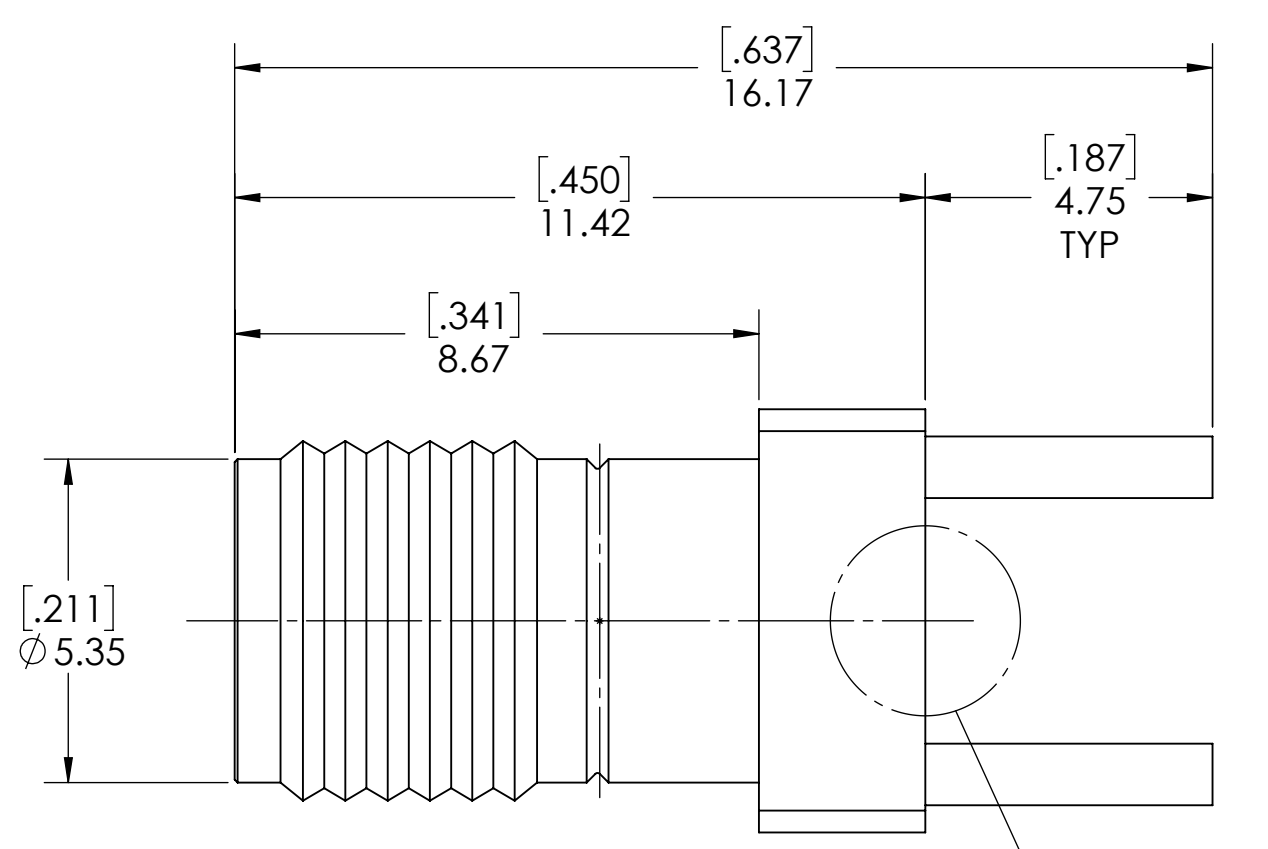
2

1

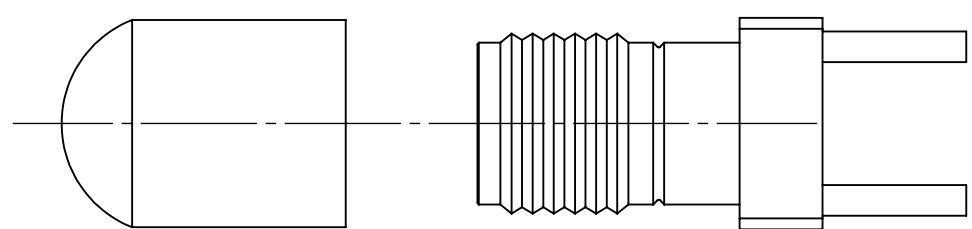
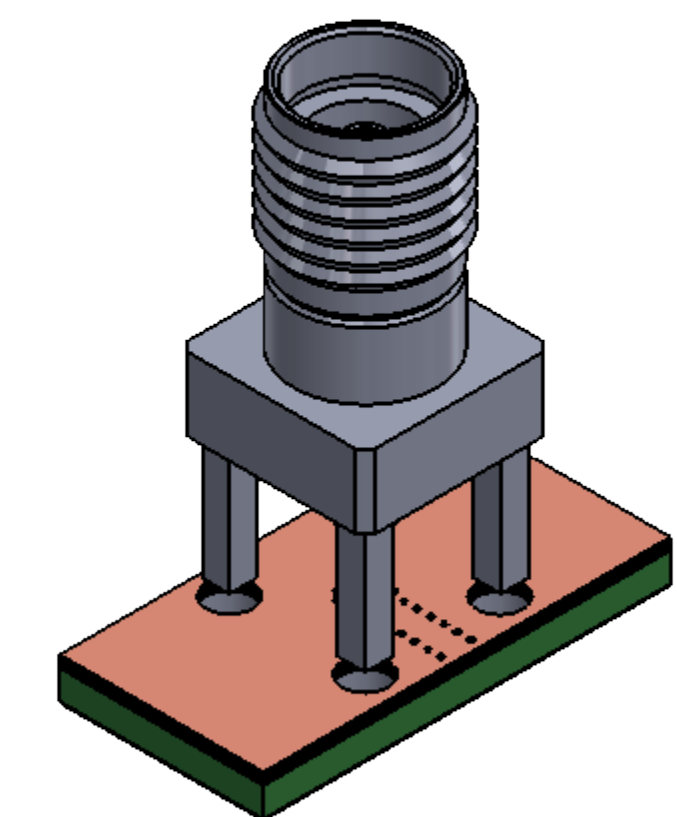
REVISIONS			
REV.	DESCRIPTION	DATE	APPROVED
0	INITIAL RELEASE	12/03/19	PV
1	DRAWING RENAMED; WAS TMB-V5FS-2SM-01	1/6/2020	PV



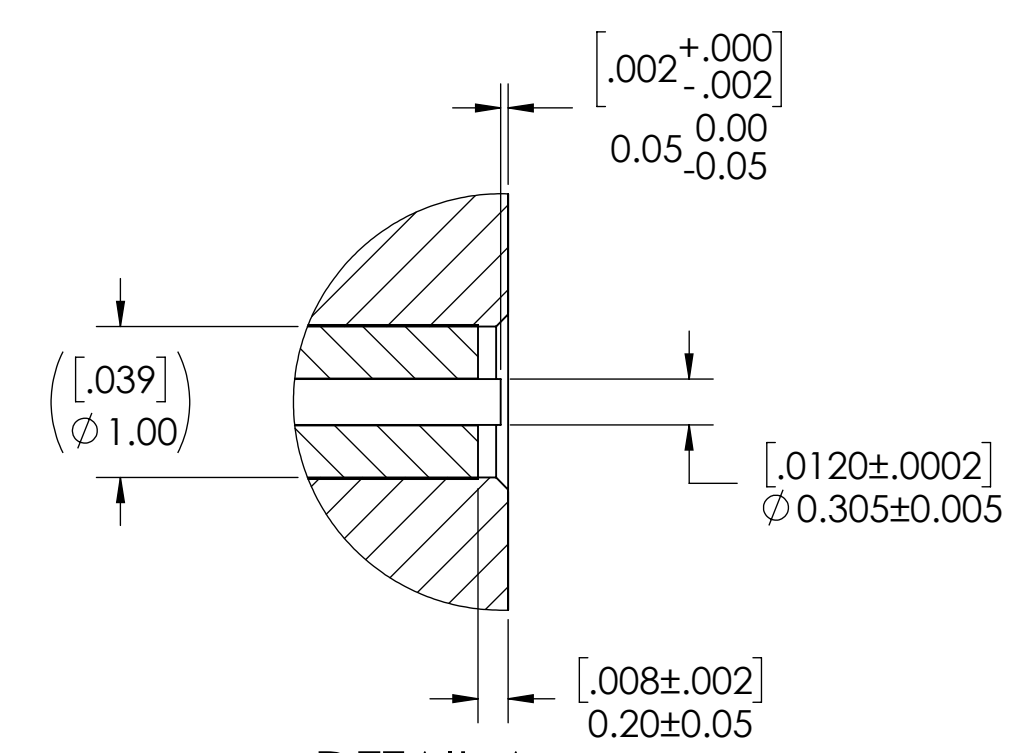
[.138]
Ø 3.50



DETAIL A



PROTECTION CAP



DETAIL A
SCALE 20:1

NOTE(S):
 1. These characteristics are typical and for reference.
 2. DYH: 58-20028-12040
 3. See sheet 2 for PCB interface definition.

MATERIAL(S):	ELECTRICAL(S):	MECHANICAL(S):	ENVIRONMENTAL(S):
Body: Brass Center Conductor: Beryllium Copper Insulator: Insulator 1: PCTFE, white Insulator 2: PTFE, white RoHS Compliant Protective Cap: Soft PVC Color: White	Impedance: 50 Ohms Nominal Frequency Range: DC to 34 GHz VSWR: 1.3:1 max at 34 GHz Working Voltage: 400 Vrms max @ Sea Level Dielectric Withstand Voltage: 500 Vrms max. Insulation Resistance: 5000 Megaohms min. Contact Resistance: Initial: Center Contact: 1.5 Milliohms max Outer Contact: 0.8 Milliohms max	Mating Characteristics: Interface per MIL-STD-348 Force to Engage & Disengage: Torque: 2 inch-pounds max Longitudinal Force: NA Connector Durability: 500 Cycles min. Permeability: Less than 2.0 mu. Center Contact Retention: Axial Force: 6 pounds min. Radial Force: NA	Temperature Range: -65°C to +165°C Moisture Resistance: MIL-STD-202, Method 103, Test Condition B Corrosion: MIL-STD-202, Method 101, Test Condition B Vibration: MIL-STD-202, Method 204, Test Condition A Shock: MIL-STD-202, Method 213, Test Condition 1

FINISH(ES):	APPLICABLE CARLISLE IT DOCUMENTS			TOLERANCES AND NOTES EXCEPT AS NOTED	APPROVAL	INITIALS	DATE	 Dongguan City, Guangdong P.R. China 523533 TITLE 3.50mm STRAIGHT JACK, VERTICAL SOLDER (SIGNAL PAD), 4.75 PIN LNG		
	WORK STANDARD	PROD INSTRUC	ASSY INSTRUC		DRAWN BY				SCALE	SUB-DIRECTORY/ _OUTLINE/
Body: Gold Plating Center Conductor: Gold Plating	NA	NA	NA	THIRD ANGLE PROJECTION SCALE 8:1 DIMENSIONS ARE IN [INCHES] MM ANGLES ±2° .XX DECIMALS ±.063 .XXX DECIMALS ±.01	DRAWN BY	PV	12.03.19	8:1		1
					CHECKED BY	PV	12.03.19			
					DESIGN ENG					
					APPR BY					
								SIZE	DRAWING NO.	REV.
								C	TMB-V5FS-3SM-01	1

NOTICE
 THIS DRAWING EMBODIES A CONFIDENTIAL PROPRIETARY DESIGN ORIGINATED BY CARLISLE INTERCONNECT TECHNOLOGIES & ALL DESIGN, MANUFACTURING, REPRODUCTION, USE & SALE RIGHTS REGARDING THE SAME ARE EXPRESSLY RESERVED. IT IS SUBMITTED UNDER A CONFIDENTIAL RELATIONSHIP FOR A SPECIFIED PURPOSE & THE RECIPIENT AGREES BY ACCEPTING THIS DRAWING NOT SUPPLY OR DISCLOSE ANY INFORMATION REGARDING IT TO ANY UNAUTHORIZED PERSON TO INCORPORATE IN OTHER PROJECTS ANY SPECIAL FEATURES PECULIAR TO THIS DESIGN. ALL PATENT RIGHTS HERETO ARE EXPRESSLY RESERVED BY CARLISLE INTERCONNECT TECHNOLOGIES, CERRITOS, CALIFORNIA 90703.

4

3

2

1

A

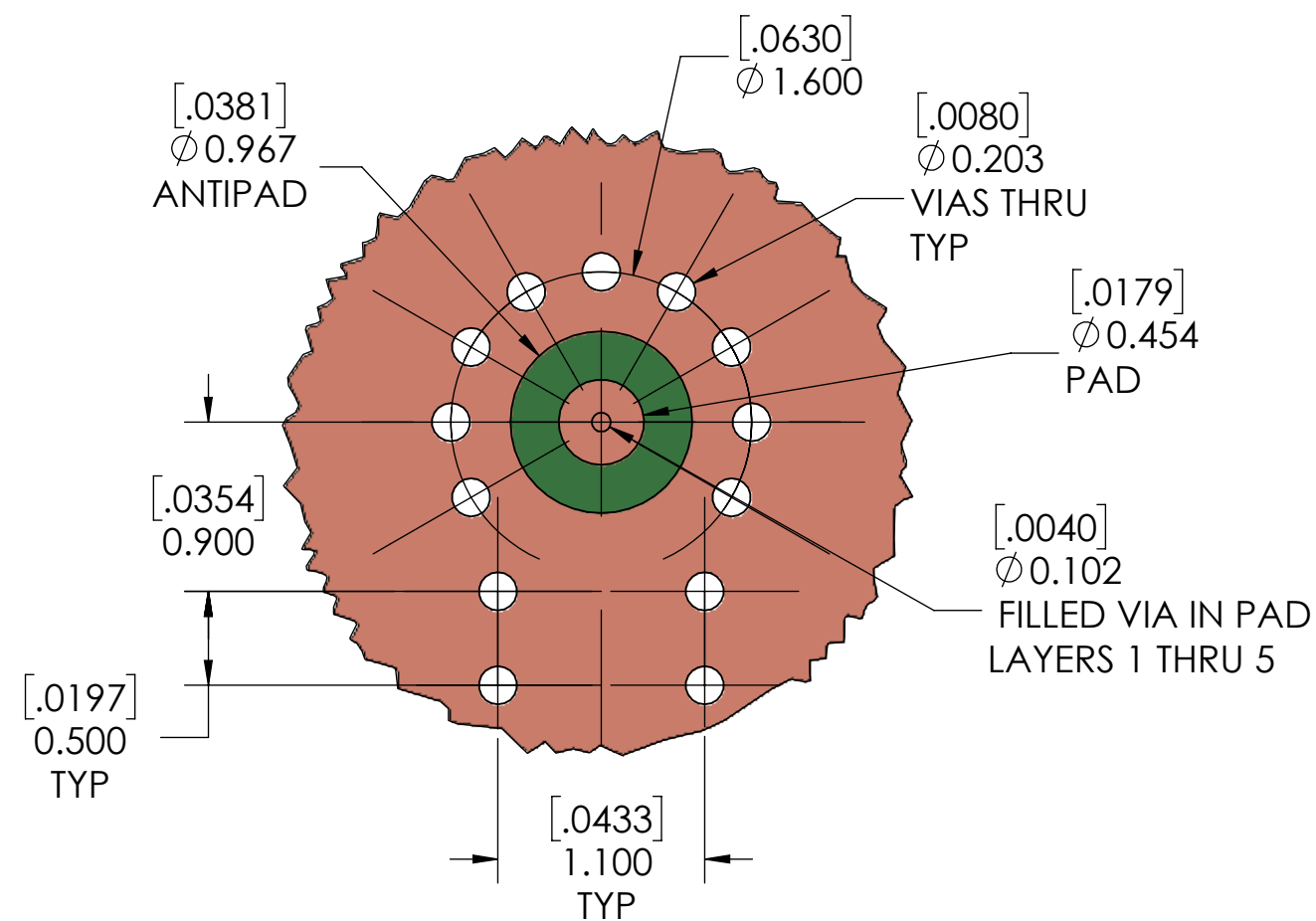
4 3 2 1

D D

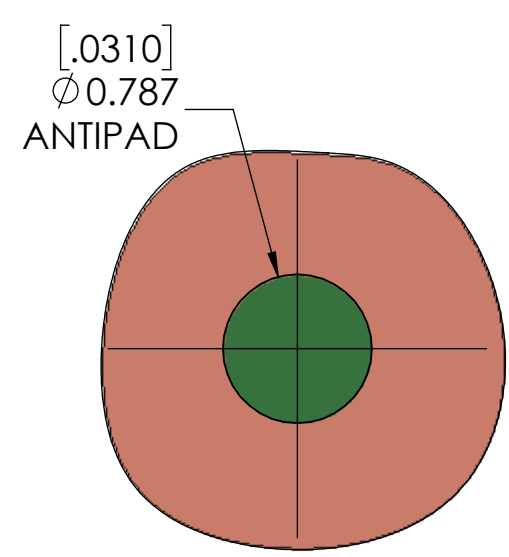
C C

B B

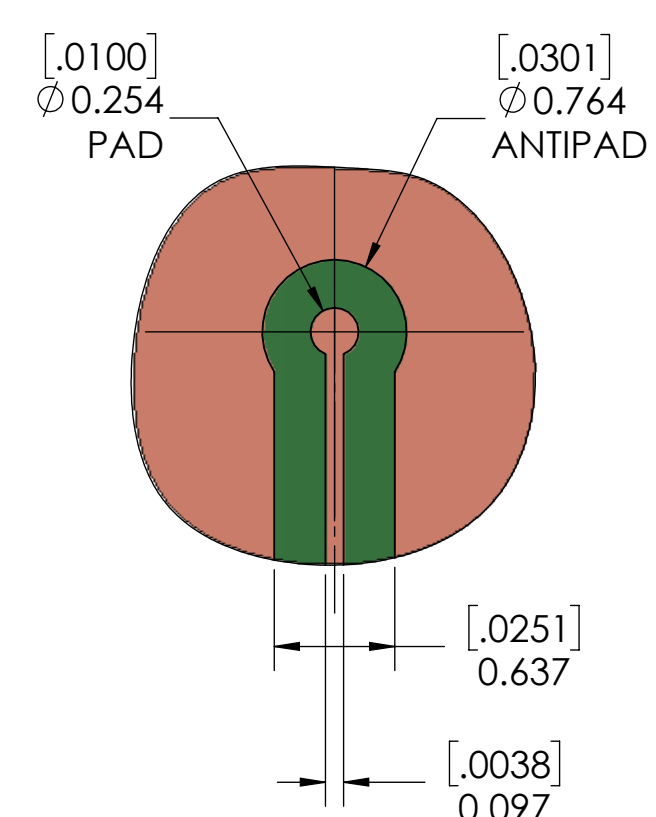
A A



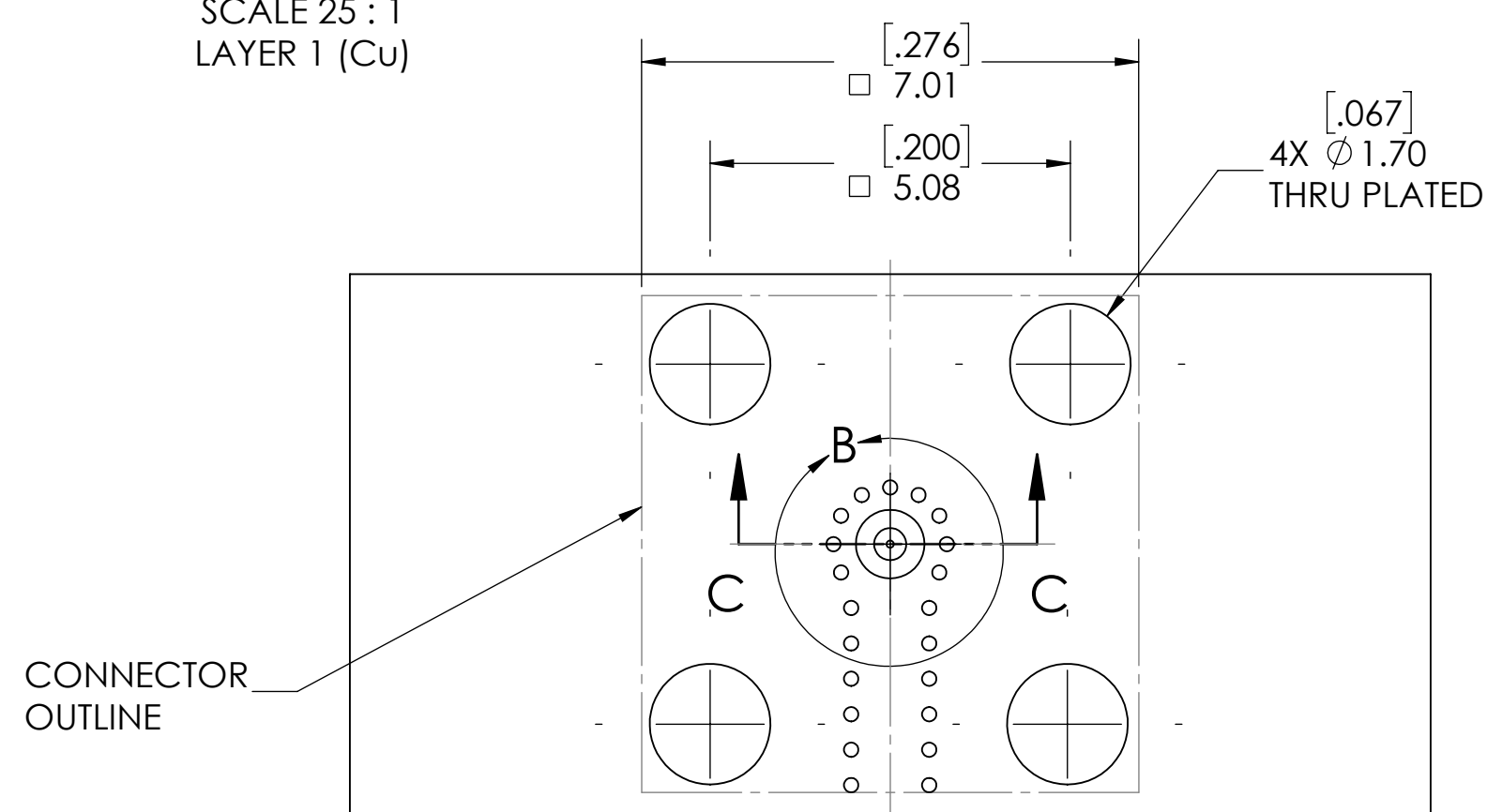
DETAIL B
SCALE 25 : 1
LAYER 1 (Cu)



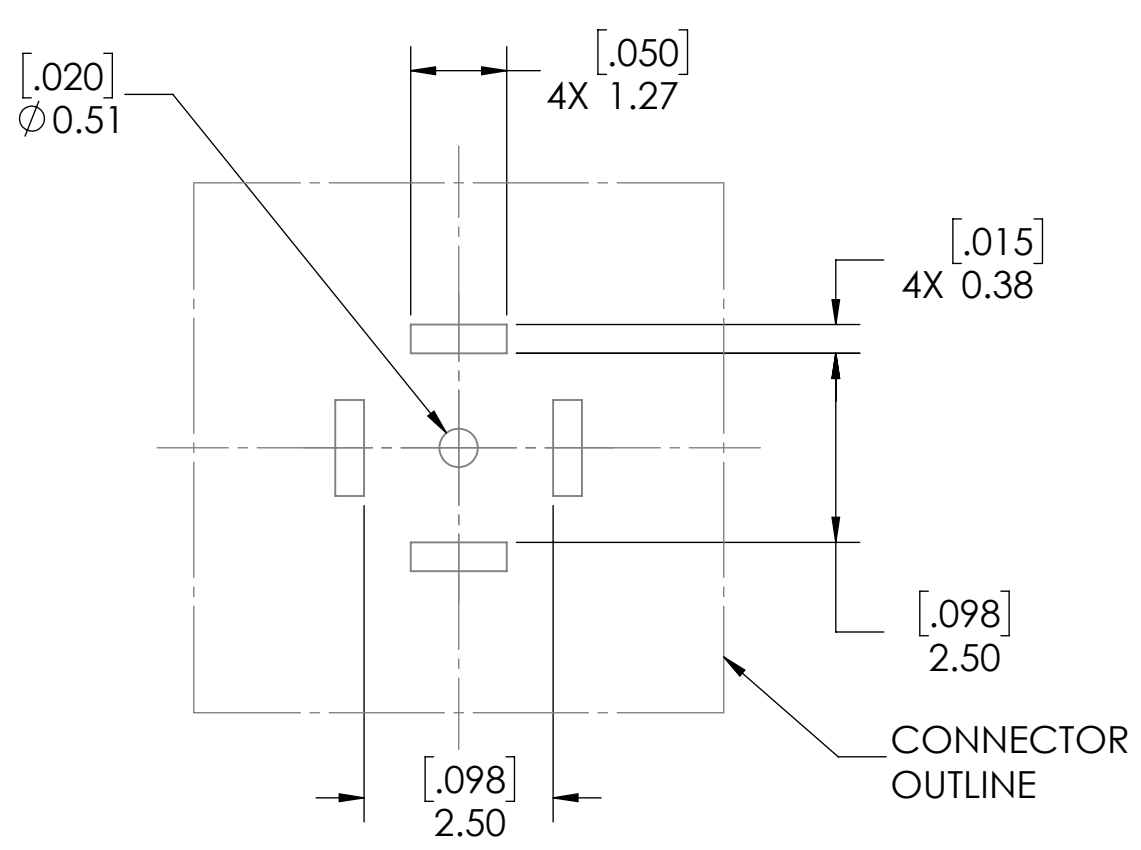
DETAIL B
SCALE 25:1
LAYER 3 (Cu)
VIAS NOT SHOWN FOR CLARITY



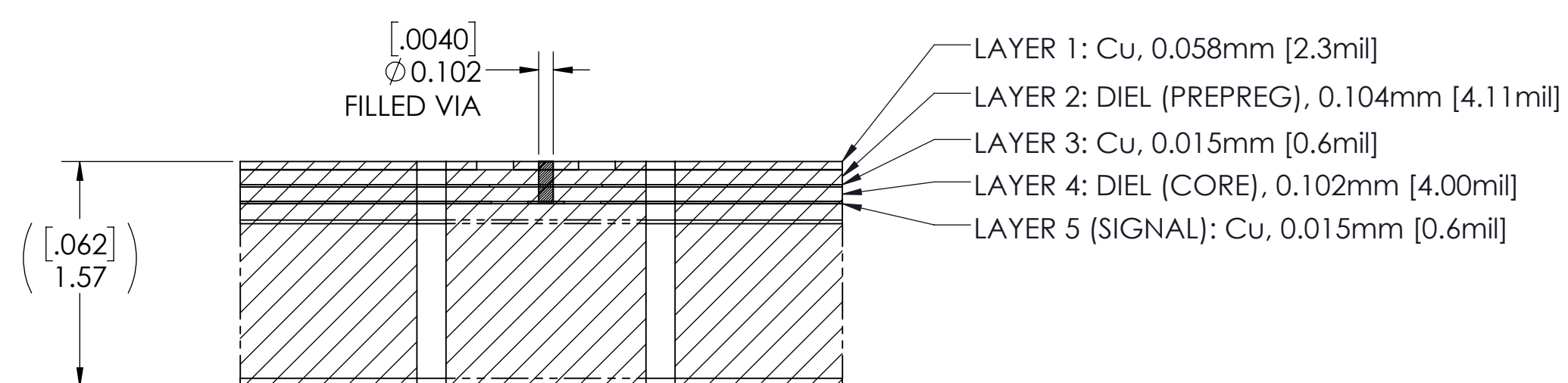
DETAIL B
SCALE 25:1
LAYER 5 (Cu)
VIAS NOT SHOWN FOR CLARITY



PCB LAYOUT
(FOR REFERENCE ONLY)



SOLDER PASTE STENCIL
SCALE 10:1



SECTION C-C
SCALE 25 : 1
PCB LAYER DEFINITION

SCALE	SUB-DIRECTORY/	SHEET 2 OF 2
10:1		
SIZE	CAGE CODE	DRAWING NO.
C		TMB-V5FS-3SM-01
		REV. 1

4 3 2 1