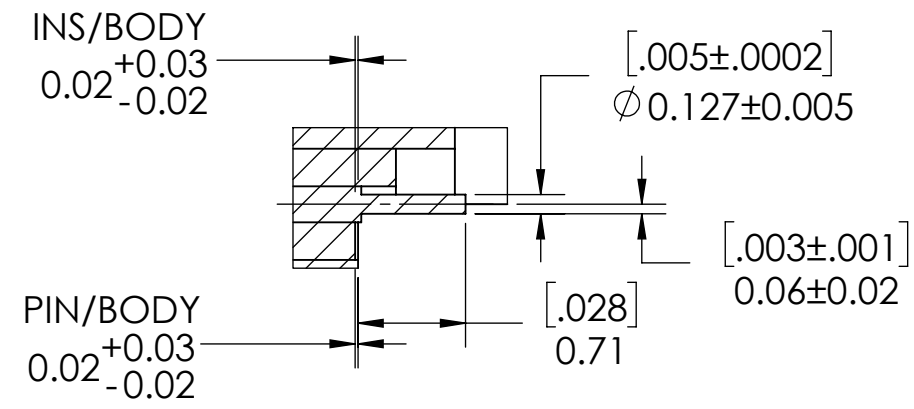
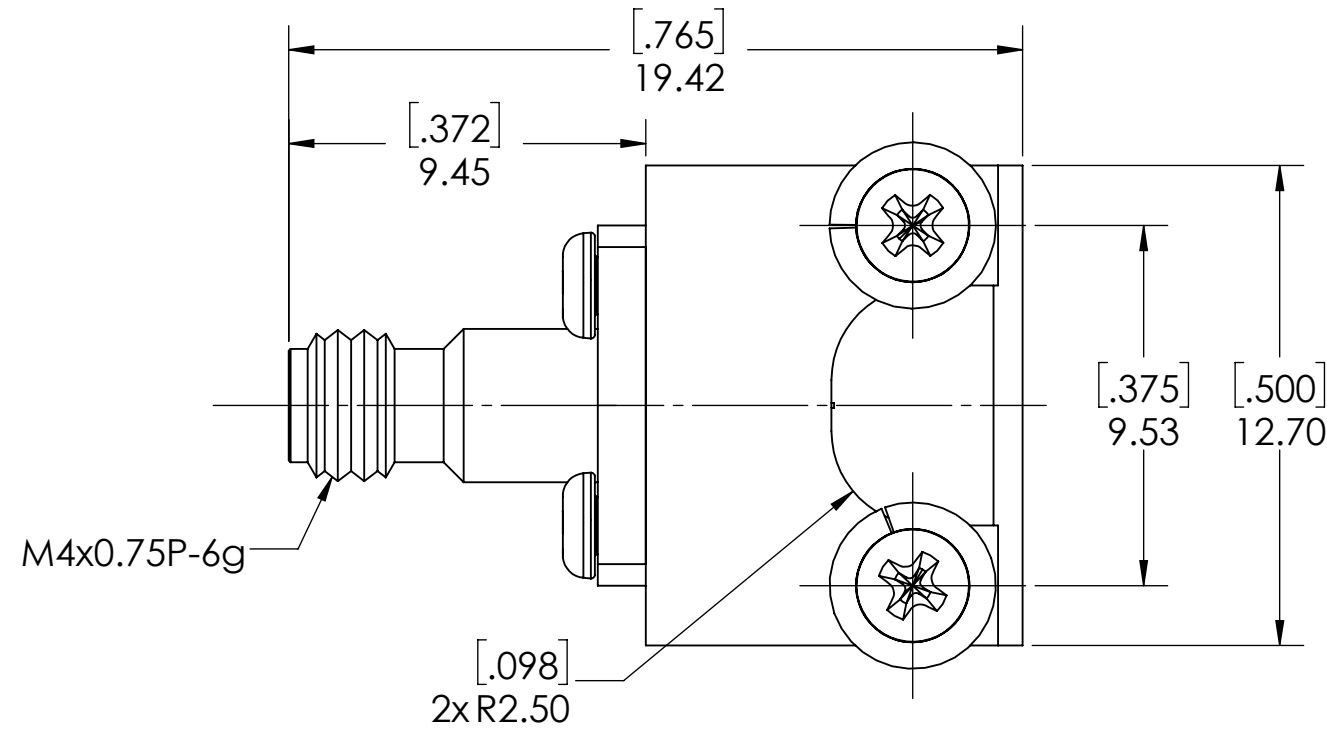
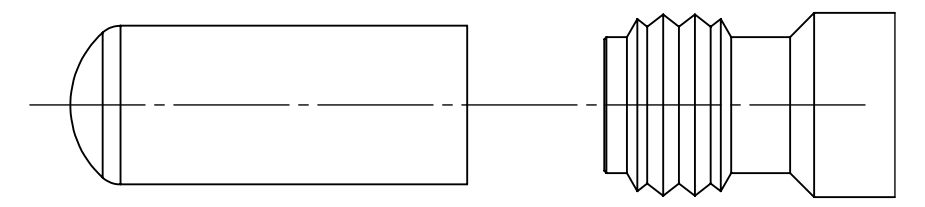
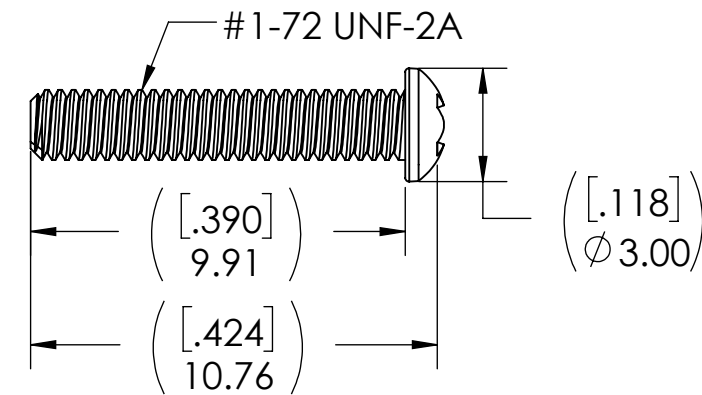
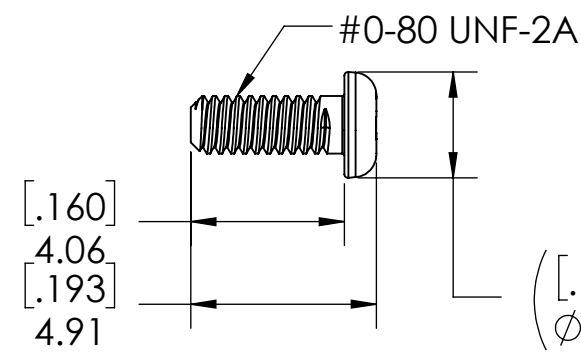
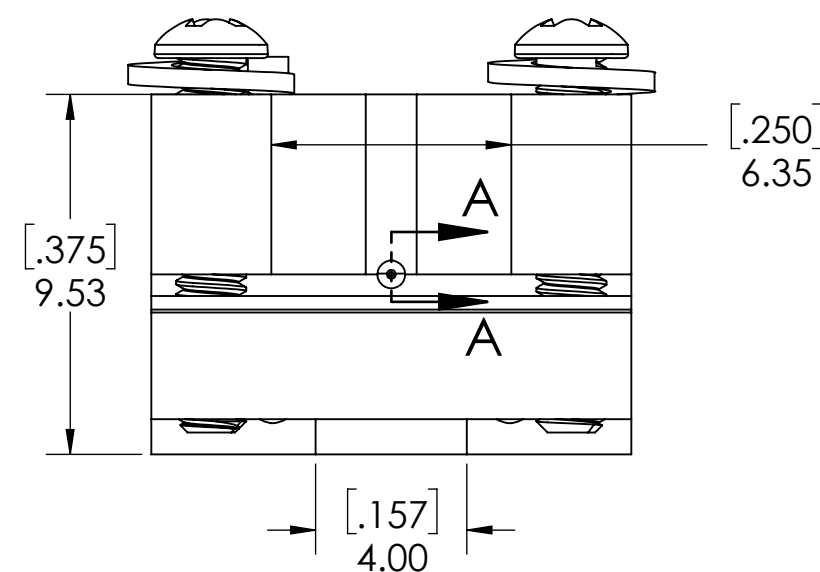
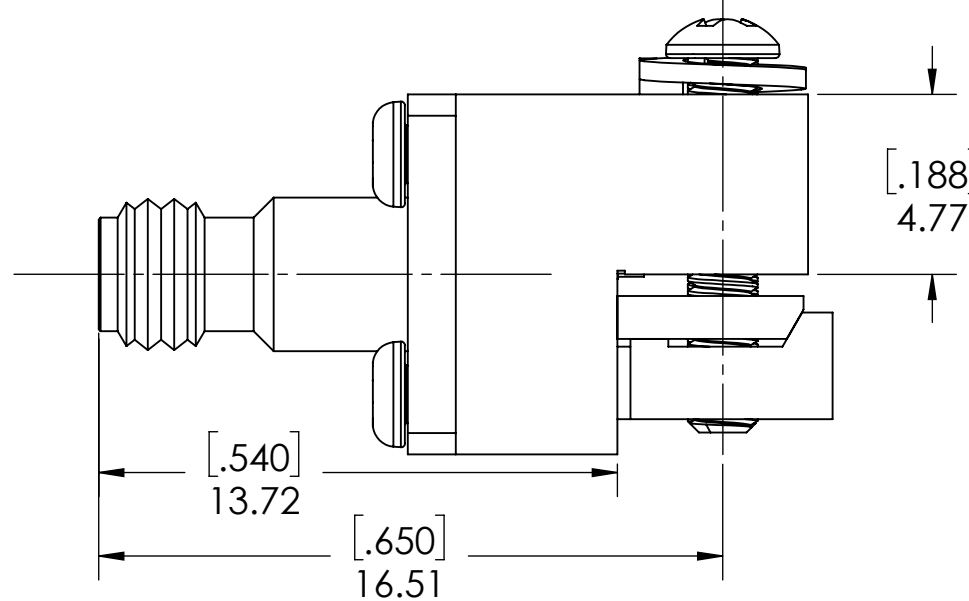
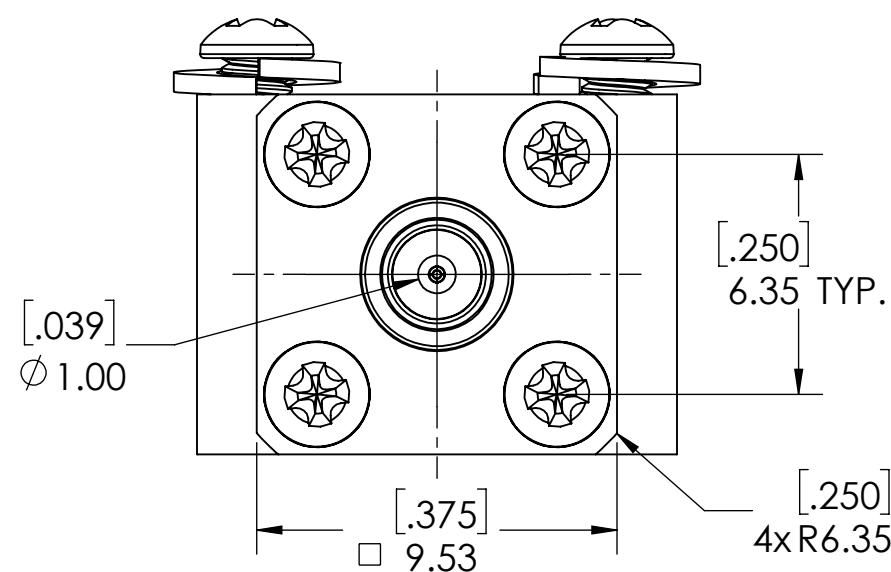
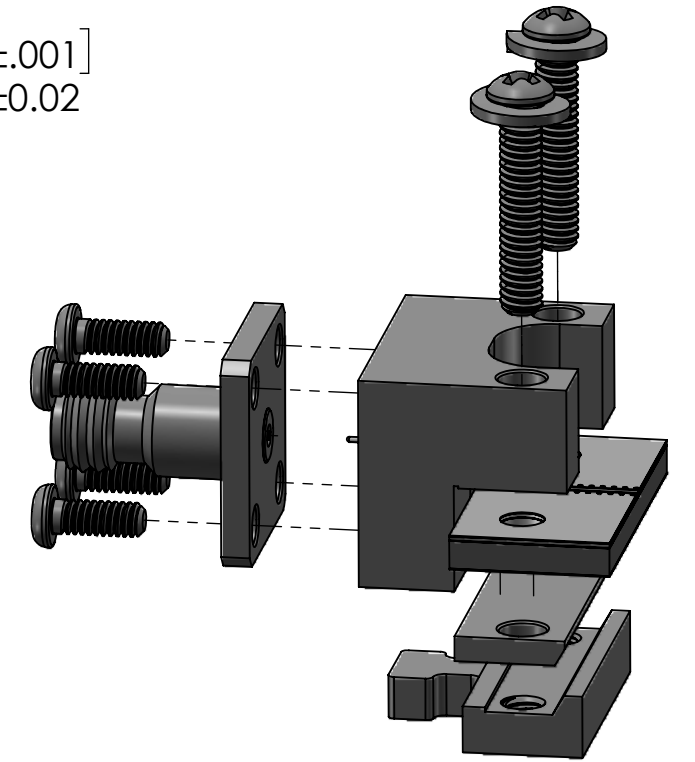




REVISIONS			
REV.	DESCRIPTION	DATE	DWN
A	RELIMINARY RELEASED	24.Jun.21	James
B	ADD DIMENSION 0.06	3.Sep.21	James
C	REVISED THE TOLERANCE IN SECTION A VIEW	7.Sep.21	James
D	ADD MOUNTING SCREWS INFO TO TABLE	16.Sep.21	James



SECTION A SCALE 20 : 1



PROTECTIVE CAP

NOTE(S):
 1. These characteristics are typical and for reference.
 2. See sheet 2 for PCB definition.

MATERIAL(S) :	ELECTRICAL(S) :	MECHANICAL(S) :	ENVIRONMENTAL(S) :
Body: Stainless Steel Center Conductor: Beryllium Copper Insulator: Insulator 1: PCTFE, white Insulator 2: PTFE, white RoHS Compliant Protective Cap: Soft PVC Color: Grey Mounting Screws: Stainless Steel	Impedance: 50 Ohms Nominal Frequency Range: DC to 110 GHz VSWR: 1.5:1 max at 110 GHz IL: 1.26dB max AT 110GHz Working Voltage: 400 Vrms max @ Sea Level Dielectric Withstand Voltage: 500 Vrms max. Insulation Resistance: 1000 Megaohms min. Contact Resistance: Center Contact: 4.0 Milliohms max Outer Contact: 0.2 Milliohms max	Mating Characteristics: Interface per MIL-STD-348 Force to Engage & Disengage: Torque: 2 inch-pounds max Longitudinal Force: NA Connector Durability: 500 Cycles min. Permeability: Less than 2.0 mu. Center Contact Retention: Axial Force: 6 pounds min. Radial Force: NA	Temperature Range: -55°C to +165°C Moisture Resistance: MIL-STD-202, Method 103, Test Condition B Corrosion: MIL-STD-202, Method 101, Test Condition B Vibration: MIL-STD-202, Method 204, Test Condition A Shock: MIL-STD-202, Method 213, Test Condition 1

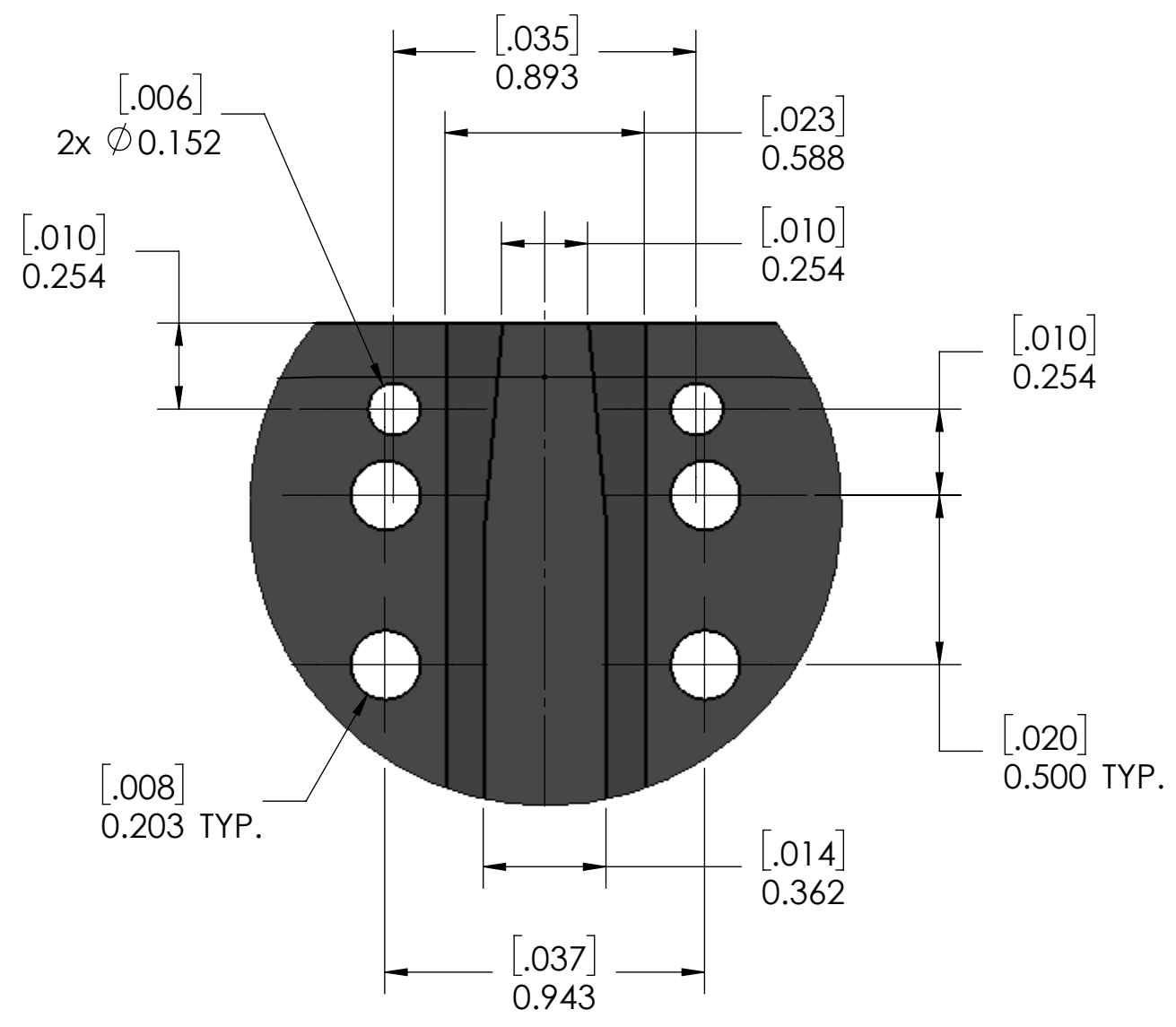
FINISH(ES) :	APPLICABLE CARLISLE IT DOCUMENTS	TOLERANCES AND NOTES	APPROVAL	INITIALS	DATE																						
Body: Passivated Center Conductor: Gold Plating Mounting Screws: Passivated	<table border="1"> <thead> <tr> <th>WORK STANDARD</th> <th>PROD INSTRUC</th> <th>ASSY INSTRUC</th> </tr> </thead> <tbody> <tr> <td>NA</td> <td>NA</td> <td>NA</td> </tr> </tbody> </table>	WORK STANDARD	PROD INSTRUC	ASSY INSTRUC	NA	NA	NA	EXCEPT AS NOTED THIRD ANGLE PROJECTION SCALE 5:1 DIMENSIONS ARE IN [INCHES] MM ANGLES ±2° .XX DECIMALS ±.063 .XXX DECIMALS ±.01	<table border="1"> <tr> <td>DRAWN BY</td> <td>James</td> <td>DATE</td> <td>24.Jun.21</td> </tr> <tr> <td>CHECKED BY</td> <td></td> <td></td> <td></td> </tr> <tr> <td>DESIGN ENG</td> <td></td> <td></td> <td></td> </tr> <tr> <td>APPR BY</td> <td></td> <td></td> <td></td> </tr> </table>	DRAWN BY	James	DATE	24.Jun.21	CHECKED BY				DESIGN ENG				APPR BY					
WORK STANDARD	PROD INSTRUC	ASSY INSTRUC																									
NA	NA	NA																									
DRAWN BY	James	DATE	24.Jun.21																								
CHECKED BY																											
DESIGN ENG																											
APPR BY																											
<table border="1"> <tr> <td colspan="2"> Dongguan City, Guangdong P.R. China 523533 </td> <td colspan="2"> TITLE Edge Launch, JACK 4-HOLE FLANGE , Solderless, 1.0mm, Connector </td> </tr> <tr> <td>SCALE</td> <td>SUB-DIRECTORY/</td> <td>SHEET</td> <td>OF</td> </tr> <tr> <td>5:1</td> <td>_OUTLINE/</td> <td>1</td> <td>1</td> </tr> <tr> <td>SIZE</td> <td>DRAWING NO.</td> <td></td> <td>REV.</td> </tr> <tr> <td>C</td> <td>TMB-E1F4-1L1-01</td> <td></td> <td>D</td> </tr> </table>						 Dongguan City, Guangdong P.R. China 523533		TITLE Edge Launch, JACK 4-HOLE FLANGE , Solderless, 1.0mm, Connector		SCALE	SUB-DIRECTORY/	SHEET	OF	5:1	_OUTLINE/	1	1	SIZE	DRAWING NO.		REV.	C	TMB-E1F4-1L1-01		D		
 Dongguan City, Guangdong P.R. China 523533		TITLE Edge Launch, JACK 4-HOLE FLANGE , Solderless, 1.0mm, Connector																									
SCALE	SUB-DIRECTORY/	SHEET	OF																								
5:1	_OUTLINE/	1	1																								
SIZE	DRAWING NO.		REV.																								
C	TMB-E1F4-1L1-01		D																								

4

3

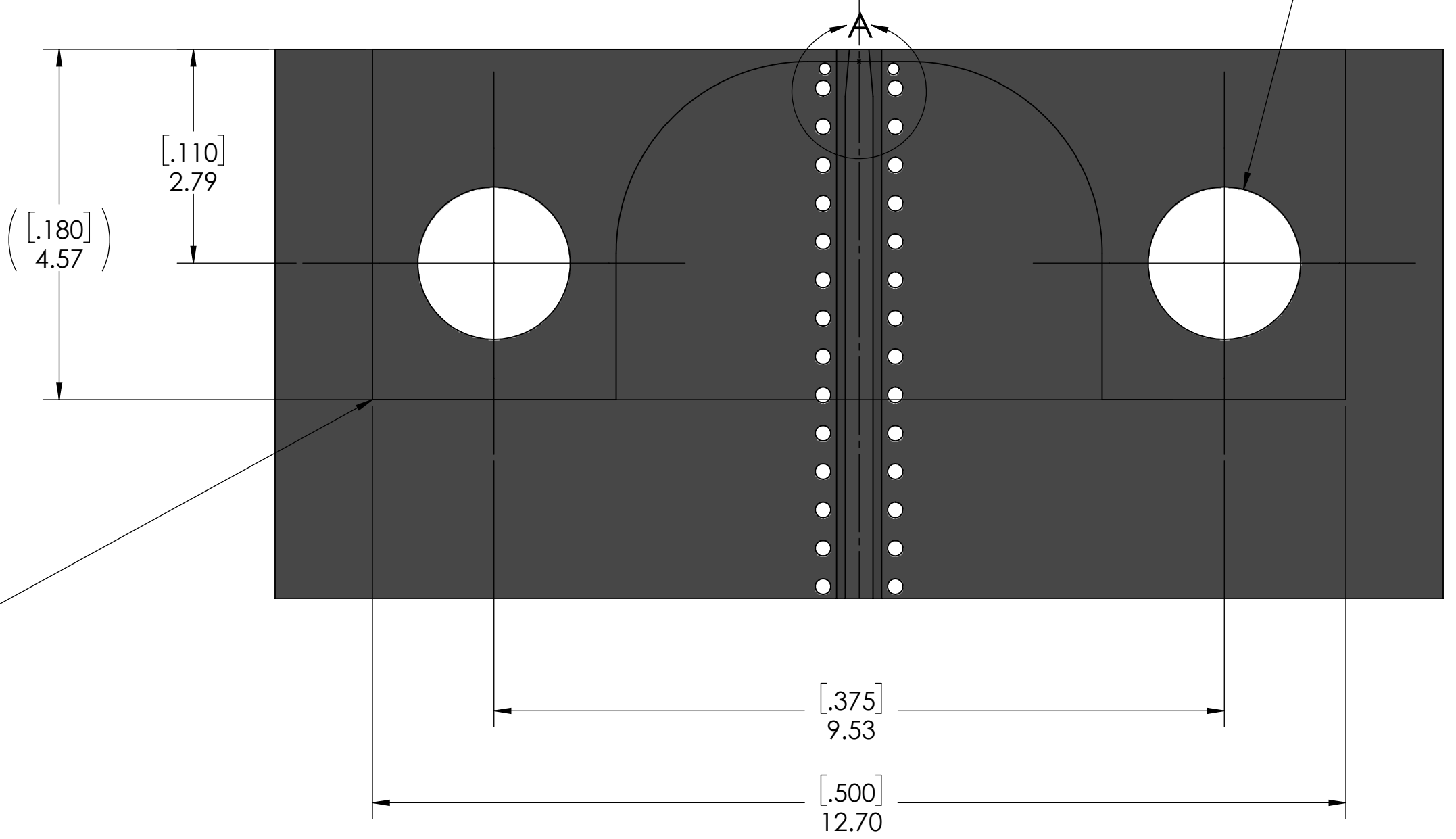
2

1

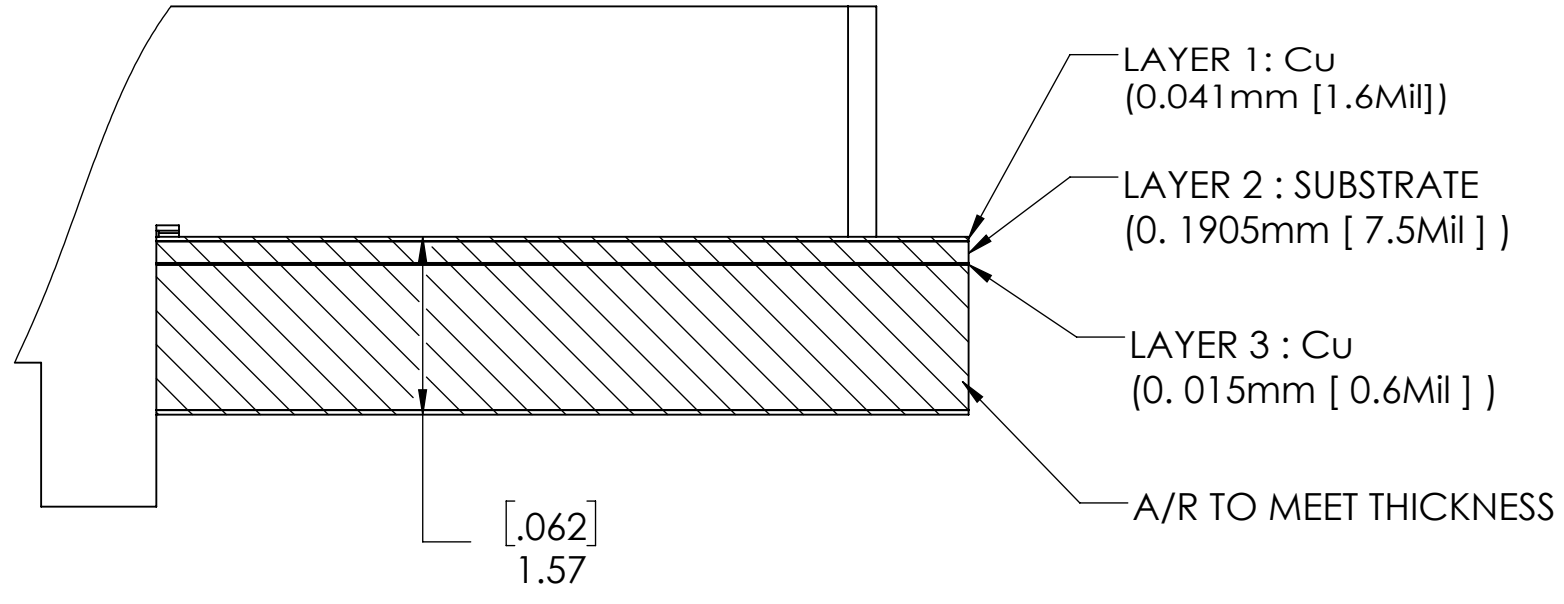


DETAIL A
SCALE 50 : 1

CONNECTOR OUTLINE



[.078]
2X ϕ 1.99
UN-PLATED THRU HOLE



PCB LAYOUT CPW
(FOR REFERENCE ONLY)

SCALE	SUB-DIRECTORY/	SHEET 2 OF 2
10:1		
SIZE	CAGE CODE	DRAWING NO.
C		TMB-E1F4-111-01
		REV. D

4

3

2

1