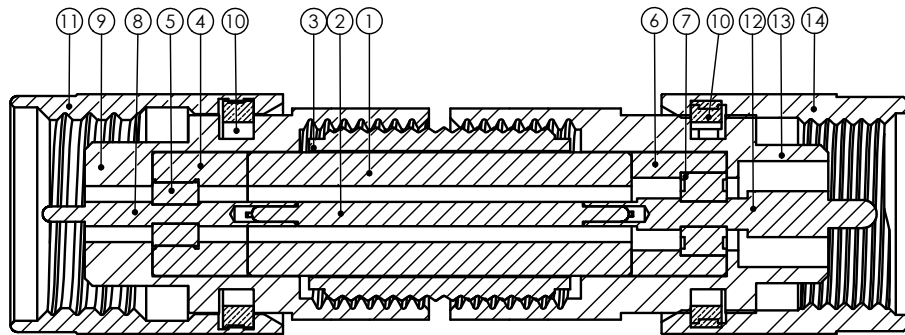
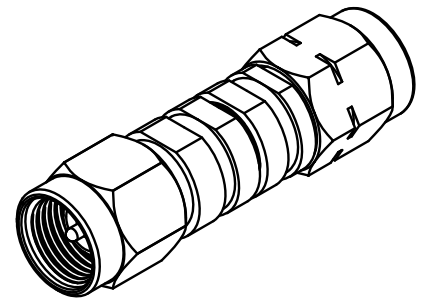
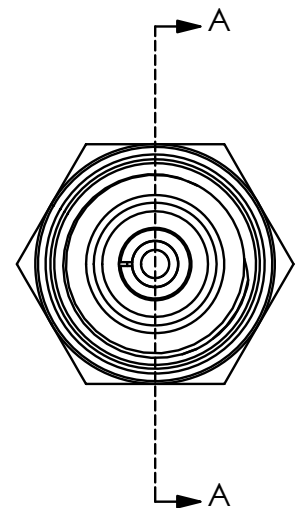


ITEM NO.	PART NUMBER	DESCRIPTION	QTY.
1	TM45-000041-00	SPACER ADAPTERS	1
2	TM45-000020-00	CENTER CONDUCTOR ADAPTERS	1
3	TM45-000080-00	PASSIVATED THREADED COUPLING	1
4	TM45-080040-00	SPACER FOR 1.85mm INSULATOR	1
5	TM45-080030-00	1.85mm INSULATOR	1
6	TM45-000040-00	SPACER FOR INSULATOR	1
7	TM45-000030-00	INSULATOR	1
8	TM45-08M020-00	CENTER CONDUCTOR 1.85mm MALE	1
9	TM45-08M010-00	PASSIVATED BODY 1.85mm MALE	1
10	TM45-000070-00	RETAINING RING	2
11	TM45-000091-00	NUT	1
12	TM45-05M020-00	CENTER CONDUCTOR 3.5mm MALE	1
13	TM45-05M010-00	PASSIVATED BODY 3.5mm MALE	1
14	TM45-000090-00	NUT 3.5mm, 2.92mm MALE	1

REVISION			
REV.	DESCRIPTION	DATE	BY
-	INITIAL RELEASE	07/31/2019	TDR



SECTION A-A
SCALE 8 : 1



NOTE(S):
 1. INSTALL AND TEST PER "MW ADAPTER & CONNECTOR ASSY PROCEDURE", TM99-0008-00.
 2. VSWR, MAX. 1.18:1 @ 26.5GHz

APPLICABLE CARLISLE IT DOCUMENTS		
WORK STANDARD	PROD INSTRUC	ASSY INSTRUC
NA	NA	NA

NOTICE
 THIS DRAWING EMBODIES A CONFIDENTIAL PROPRIETARY DESIGN ORIGINATED BY CARLISLE INTERCONNECT TECHNOLOGIES & ALL DESIGN, MANUFACTURING, REPRODUCTION, USE & SALE RIGHTS REGARDING THE SAME ARE EXPRESSLY RESERVED. IT IS SUBMITTED UNDER A CONFIDENTIAL RELATIONSHIP FOR A SPECIFIED PURPOSE & THE RECIPIENT AGREES BY ACCEPTING THIS DRAWING NOT TO SUPPLY OR DISCLOSE ANY INFORMATION REGARDING IT TO ANY UNAUTHORIZED PERSON TO INCORPORATE IN OTHER PROJECTS ANY SPECIAL FEATURES PECULIAR TO THIS DESIGN. ALL PATENT RIGHTS HERETO ARE EXPRESSLY RESERVED BY CARLISLE INTERCONNECT TECHNOLOGIES, KENT, WA 98032.

TOLERANCES AND NOTES	
EXCEPT AS NOTED	
DIMENSIONS ARE IN INCHES.	
LINEAR $XX \pm .015$	ANGULAR $\pm 1/2^\circ$
FRACTION $\pm 1/32$	
1. MACHINE FINISH: $\sqrt{\text{RMS}}$	
2. BREAK ALL SHARP EDGES .003 MAX.	
3. MACHINED FILLETS .005 MAX.	
4. MACHINED SURFACES SQUARE TO RESPECTIVE AXIS WITHIN .005 INCHES PER INCH.	
5. MACHINED DIAMETERS CONCENTRIC WITHIN .002 TLR.	
6. DIMENSIONS TO BE MET BEFORE PLATING.	
7. CHAMFER ALL THREADS 45°.	
8. THREADS PER H-28	
9. REMOVE FRAYED EDGES ON TEFLON.	
10. REMOVE ALL BURRS.	

MATERIAL		SIZE	SPECIFICATION	PROCUREMENT
APPROVAL INITIALS	DATE	-		
DRAWN BY	MTV	03.02.18		
CHECKED BY	-	-		
TEST ENGR	-	-		
QUALITY	-	-		
DESIGN ENGR	MTV	03.02.18		
MFG ENGR	-	-		
TITLE		CARLISLE Interconnect Technologies Kent, WA 98032		
SCALE		MW ADAPTER 1.85mm MALE - 3.5mm MALE		
SIZE	CAGE CODE	DRAWING NO.	SHEET	OF
C	7M924	TMA -8MS-5MS-00	1	1
REV.	-	-	-	-