


This print and associated documents and the contained information are the confidential property of CarlisleIT. Disclosure of, and/or reproduction of, all or part thereof or manufacture of any part from information contained on this print not specifically permitted by CarlisleIT in writing is forbidden.

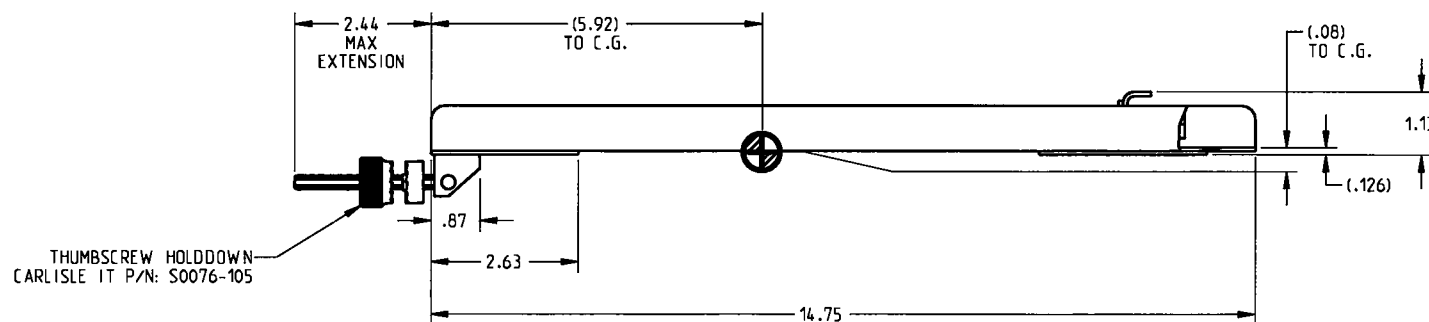
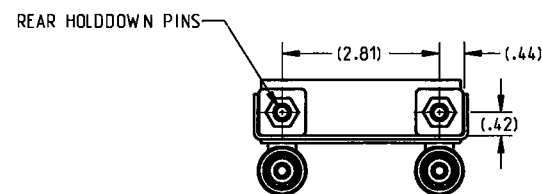
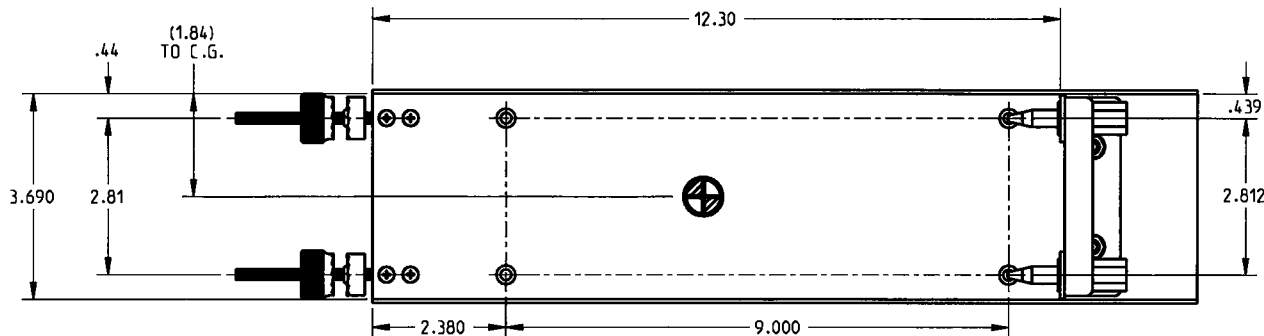
REVISION HISTORY						
ECN	SHT	ZONE	REV	DESCRIPTION	DATE	APPROVED
74483			NC	RELEASED	9/13/19	<i>[Signature]</i>

*** EXPORT CONTROLLED DOCUMENT - EAR ***
The information in this document is subject to the Export Controls in Accordance with the Export Administration Regulations. Diversion Contrary to U.S. Law is prohibited.

NOTES: UNLESS OTHERWISE SPECIFIED

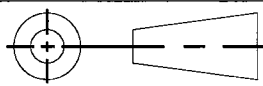
GENERAL NOTES:

- DIMENSIONS AND TOLERANCES PER ASME Y14.5M-1994.
- DESIGNED TO MEET THE APPLICABLE REQUIREMENTS OF THE FOLLOWING:
 - ARINC 404A: 3/8 ATR
 - RTCA/DO-160G ENVIRONMENTAL TEST CONDITIONS:
 - TEMPERATURE: CAT A2
 - ALTITUDE: CAT A2
 - TEMP VARIATION: CAT B
 - HUMIDITY: CAT A
 - OPERATIONAL SHOCK: CAT B
 - CRASH SAFETY: SUSTAINED, TABLE 7-1, FIXED WING TRANSPORT A/C, RANDOM ORIENTATION
 - VIBRATION: CAT S, CURVE B2
- TRAY AND CONNECTOR PLATE FINISH: CLEAR CHEM FILM PER MIL-DTL-5541, TYPE II, CLASS 3.
- APPROXIMATE LOCATION OF CENTER OF GRAVITY SHOWN AS .



CarlisleIT PART NO.: 200-106007-101

PRODUCT SPECIFICATION DRAWING

THIRD ANGLE PROJECTION		WEIGHTS		UNLESS OTHERWISE SPECIFIED, DIMENSIONS ARE IN INCHES. DO NOT SCALE DRAWING. TOLERANCES ARE:		DRAWN TO: CARLISLE	
	-	-	-	FRACTIONS	DECIMALS	ANGULAR	Carlisle Interconnect Technologies Franklin W.I. 53132 (616) 421-5300
	-	-	-	±	± .01	X ± 3.0°	
	-	-	-	JXX	± 0.03	X ± 0.5°	
	-	-	-	JXXX	± 0.010		
	-	-	-	JXXXX	± 0.0020		
CAD GENERATED DOCUMENT ANY CHANGES TO THIS DOCUMENT MUST BE SUBMITTED TO THE DESIGN/DRAFTING DEPARTMENT FOR PROPER UPDATE		FINAL	173887	TREATMENT		DATE	TRAY, 3/8 ATR SPECIAL
QTY REQ'D	FINAL / NEXT DRAWING	PROJECT NO.	QUALITY ASSURANCE	FINISH		DATE	
APPLICATION		ADDITIONAL APPROVALS		DATE		DATE	
SURF AREA SQ INCHES		FAR SQ INCHES REQ'D		CALC WT LBS	DRAWING DATE		SIZE CASE CODE LEVEL DWG NO.
-		-		1.025	9/13/19		D 66197 C 900-106008
							SCALE 5/8 EFFECTIVITY SHEET 1 OF 1