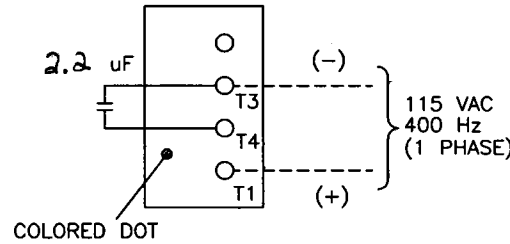


This print and associated documents and the contained information are the confidential property of ELECTRONIC CABLE SPECIALISTS. Disclosure of, and/or reproduction of, all or part thereof or manufacture of any part from information contained on this print not specifically permitted by ELECTRONIC CABLE SPECIALISTS in writing is forbidden.

NOTES: UNLESS OTHERWISE SPECIFIED

1. DIMENSIONS AND TOLERANCES PER ANSI Y14.5M-1982.
2. FINISH: (CLEAR CHEM FILM PER MIL-C-5541, CLASS 3).
3. APPLY (15) AROUND SCREW HOLES & CONTACT SURFACES AT ASSEMBLY TO PROVIDE A SEAL BETWEEN (1) / (6) & (3).
4. -DELETED-
5. -DELETED-
6. -DELETED-
7. DESIGNED TO MEET THE APPLICABLE REQUIREMENTS OF THE FOLLOWING:
 1. ARINC 600-9; 8 MCU
 2. RTCA/DO-160C ENV. CAT. A1-BABXXXXXXXXXXXXXXXXXX
8. -DELETED-
9. UNIVERSAL CONNECTOR CUT-OUT FOR ARINC 600; SIZE 1, 2 OR 3.
10. REMOVE ALL (18) PLUGS FROM TRAY AT TIME OF INSTALLATION.
11. ALTERNATE PART NO.: DOW CORNING P/N RTV-732CLR.
12. MAXIMUM EXTENSION WHEN LRU IS SECURELY FASTENED TO TRAY ASSEMBLY.
13. IDENTIFY WITH ECS P/N AND LOT#, PER EP210.
14. ELECTRICAL SPECIFICATIONS (FAN)
 - 115 VAC FAN
 - 0.60 AMPS (NOM)
15. FUNCTIONAL TEST REQUIREMENTS:
 - APPLY POWER 115 VAC TO OPERATE FAN.
 - VERIFY FAN ROTATION AND CORRECT AIRFLOW DIRECTION.



FAN WIRING SCHEMATIC

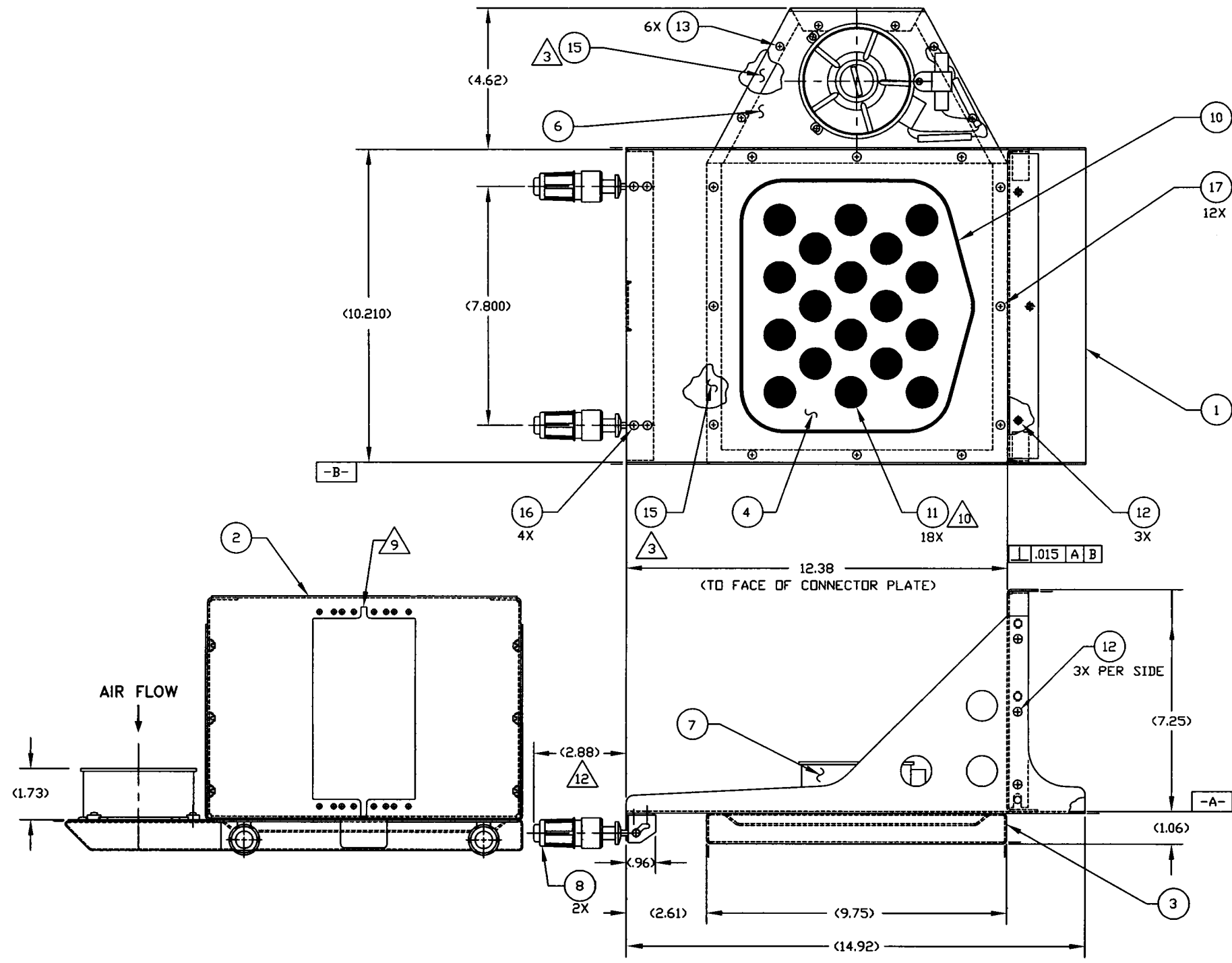
REV. NO.		SH		REV.		
6100		1		F		
REVISIONS						
ECN	SHT.	ZONE	REV.	BRIEF DESCRIPTION (SEE ECN FOR FULL DESCRIPTION)	DATE	APPROVED
			N/C	RELEASED		
			A	DN P/L: ITEM 3 WAS S0164-101	DS 12/3/92	C ASSEF B KOJIS W SIEBERT
			B	SEE ECN 128, 194 & 756.	LJH 12/17/93	C ASSEF W SIEBERT
3595 3636 3736			C	CHANGED ITEM 12 CHANGED ITEM 13 DEL ITEMS 5,14 CHANGED 7,11,12,15 ADDED ITEM 17 NOTES: DEL 4,5,6,8 CHGD 7 ADD 9-12	JZ	K RAIHALA
5328	1-3 1-3	P/L F/D D3/D4	D	CHNG'D QTY OF ITEM 17 ASSY -101 THRU -103 WAS 8 ADDED 4 SCREWS CHNG'D CALLOUT WAS 17 8X	MJB 7/31/99	J SHAW
9824	1	B8	E	ADDED NOTE 13	JTS 27-JUN-00	LHECKEL
23675	1 4 1	NTS D7	F	ADDED NOTE 14 AND 15 ADDED SHEET 4 ADDED S0085-106 WIRING DIAGRAM	M.GLOSS 8/8/02	EHL

QTY REQ'D	QTY REQ'D	QTY REQ'D	COMPONENT PART NO. OR IDENTIFYING NO.	NOMENCLATURE OR DESCRIPTION	MATERIAL/SPECIFICATION	CAGE CODE	ITEM NO.
12	12	12	MS24693-C24	SCREW, FLAT HEAD	(.138-32 X .25 LONG)		17
-	-	4	MS24693-C25	SCREW, FLAT HEAD	(.138-32 X .31 LONG)		16
A/R	A/R	A/R	DOW CORNING RTV-3145	SEALANT, ADHESIVE CLEAR	(SILICONE RUBBER)	71984	15
-	-	-	-DELETED-				14
6	6	6	MS51957-26	SCREW, PAN HEAD	(.138-32 X .25 LONG)		13
9	13	9	MS24693-C26	SCREW, FLAT HEAD	(.138-32 X .38 LONG)		12
18	18	18	10736-01	PLUG BUMPER	(RUBBER)		11
1	1	1	10016-108	DEFM. SEAL, 8 MCU	(SILICONE RUBBER)		10
-	2	-	S0076-105	HOLD DOWN, FRONT THUMBSCREW			9
-	-	2	10344-101	HOLD DOWN, FRONT INSERTION/EXTRACTION			8
1	1	1	S0085-106	FAN ASSEMBLY, AC			7
1	1	1	S0105-101	COVER ASSEMBLY, PLENUM	(AL ALLOY 6061)		6
-	-	-	-DELETED-				5
1	1	1	10035CC-01	METERING PLATE 8 MCU	(.040 AL ALLOY 5052 DR 6061)		4
1	1	1	S0164-108	PLENUM ASSY, 8 MCU	(.040 AL ALLOY 6061)		3
1	1	1	10018CC-110	CONNECTOR PLATE ASSY, 8 MCU	(.063 AL ALLOY 6061)		2
1	1	1	S0082CC-108	TRAY WELDING ASSY, 8 MCU	(.063 AL ALLOY 6061)		1
-103	-102	-101					

THIRD ANGLE PROJECTION 		WEIGHTS STRENGTH		UNLESS OTHERWISE SPECIFIED DIMENSIONS ARE IN INCHES TOLERANCES ARE: FRACTIONS DECIMALS ANGULAR & JOE 3.00 & 1' JOE 3.010 DO NOT SCALE DRAWING		CONTRACT NO. DRAWN BY J SWITALSKI 11/30/92 CHECKED BY D SWITALSKI 12/1/92 DESIGNED BY C ASSEF 12/1/92 PROJECT ENGR B KOJIS 12/1/92 MFG ENGR W SIEBERT 12/1/92		ELECTRONIC CABLE SPECIALISTS FRANKLIN, WI 53132 PHONE: (414) 421-3300	
CAD GENERATED DOCUMENT ANY CHANGES TO THIS DOCUMENT MUST BE SUBMITTED TO THE DESIGN/DRAFTING DEPARTMENT FOR PROPER UPDATE		-101 THRU -103 1 FINAL		PRODUCTION		TITLE TRAY ASSEMBLY, 8 MCU S/S W/ LEFT SIDE FAN MOUNT		SIZE ONE CODE LEVEL DRG NO. D 66197 C/A 6100	
COMP/ASSY PART NO. QTY REQ'D NEXT/FINAL DRG PROJECT NO. QUALITY ASSURANCE		APPLICATION DATE		SIMILAR TO ACT. WT. CALC. WT.		SCALE 1/2 EFFICIENCY SHEET 1 OF 4			

This print and associated documents and the contained information are the confidential property of ELECTRONIC CABLE SPECIALISTS. Disclosure of, and/or reproduction of, all or part thereof or manufacture of any part from information contained on this print not specifically permitted by ELECTRONIC CABLE SPECIALISTS in writing is forbidden.

DWG NO.	6100	SH	2	REV.	F	1
REVISIONS						
ZONE	REV.	DESCRIPTION			DATE	APPROVED
	F	SEE SHEET 1.				



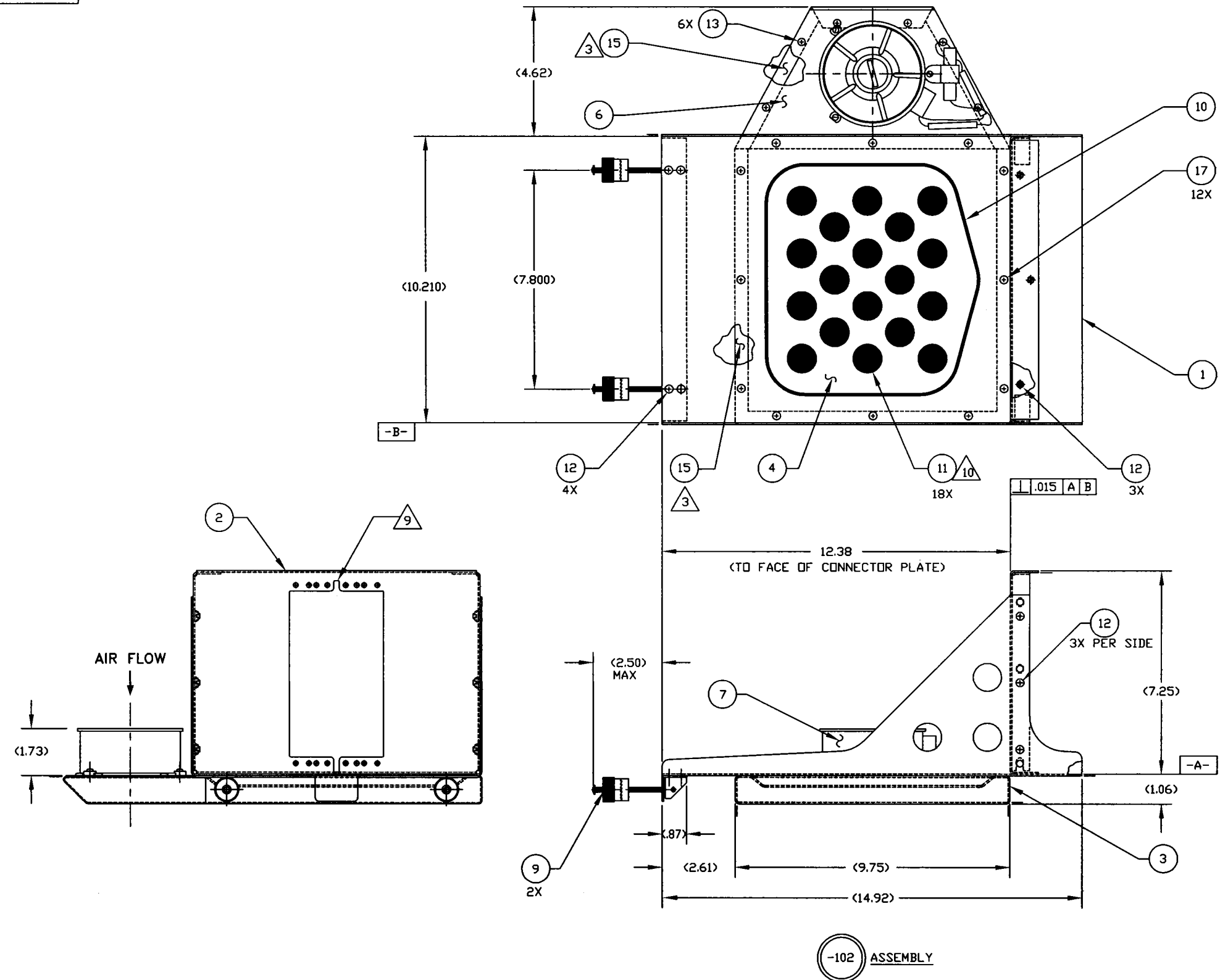
-101 ASSEMBLY

NOTES: SEE SHEET 1

THIRD ANGLE PROJECTION		CAD GENERATED DOCUMENT		ELECTRONIC CABLE SPECIALISTS	
		ANY CHANGES TO THIS DOCUMENT MUST BE SUBMITTED TO THE DESIGN/DRAFTING DEPARTMENT FOR PROPER UPDATE		FRANKLIN, WI 53132 PHONE: (414) 421-5300	
SIZE	D	DATE	66197	REV.	C/A
SCALE	1/2	DWG NO.	6100	SHEET 2 of 4	

This print and associated documents and the contained information are the confidential property of ELECTRONIC CABLE SPECIALISTS. Disclosure of, and/or reproduction of, all or part thereof or manufacture of any part from information contained on this print not specifically permitted by ELECTRONIC CABLE SPECIALISTS in writing is forbidden.

DWG NO.	6100	SH	3	REV.	F	1
REVISIONS						
ZONE	REV.	DESCRIPTION			DATE	APPROVED
F		SEE SHEET 1.				



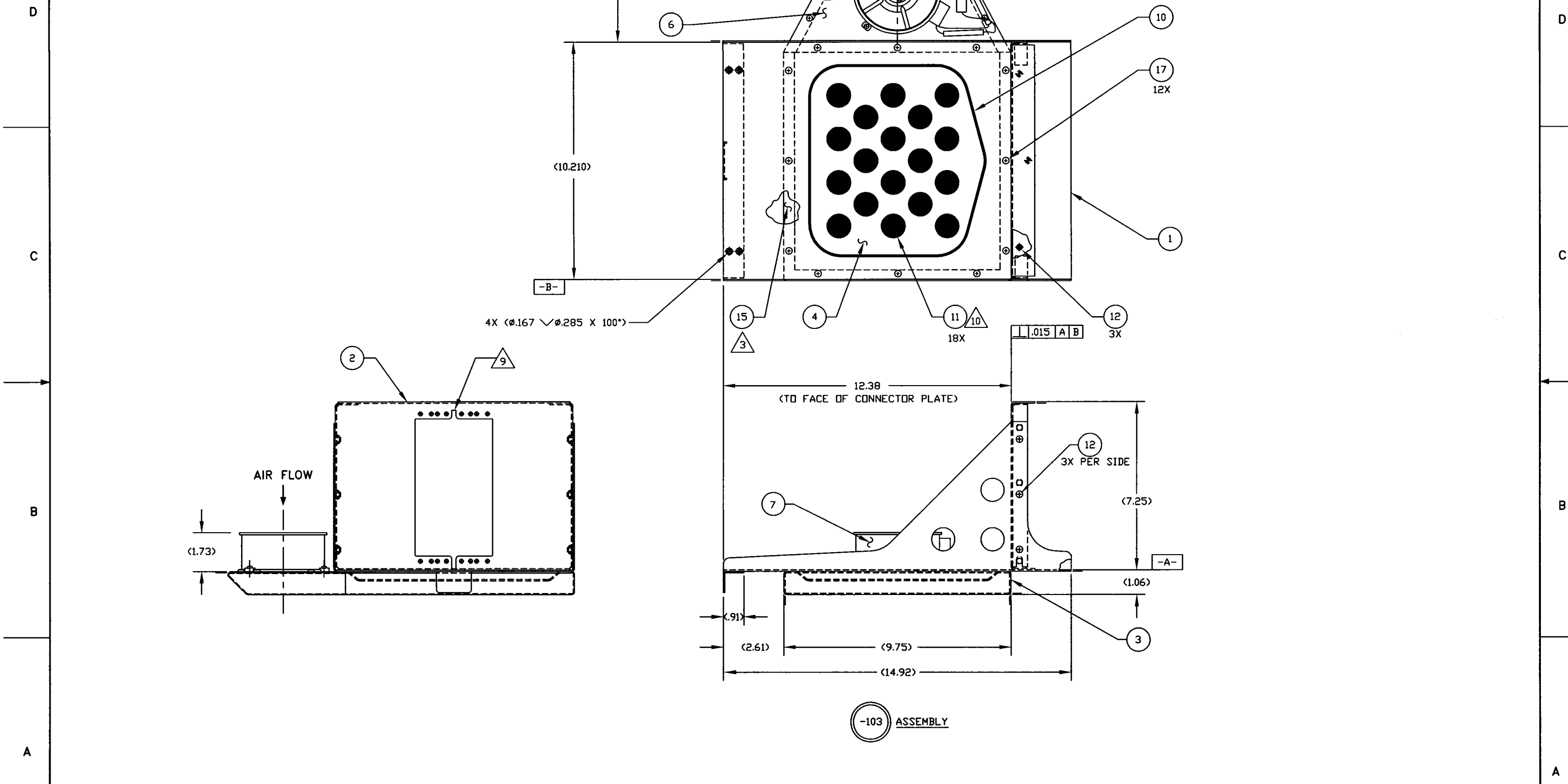
(-102) ASSEMBLY

NOTES: SEE SHEET 1

THIRD ANGLE PROJECTION		CAD GENERATED DOCUMENT		ELECTRONIC CABLE SPECIALISTS	
		ANY CHANGES TO THIS DOCUMENT MUST BE SUBMITTED TO THE DESIGN/DRAFTING DEPARTMENT FOR PROPER UPDATE		FRANKLIN, WI 53132 PHONE: (414) 421-5300	
SIZE	D	CAGE CODE	66197	LEVEL	C/A
SCALE	1/2	DWG NO.	6100	SHEET	3 of 4

This print and associated documents and the contained information are the confidential property of ELECTRONIC CABLE SPECIALISTS. Disclosure of, and/or reproduction of, all or part thereof or manufacture of any part from information contained on this print not specifically permitted by ELECTRONIC CABLE SPECIALISTS in writing is forbidden.

DWG NO. 6100		SH 4	REV. F	1
REVISIONS				
ZONE	REV.	DESCRIPTION	DATE	APPROVED
	F	SEE SHEET 1		



NOTES: SEE SHEET 1

THIRD ANGLE PROJECTION		CAD GENERATED DOCUMENT		ELECTRONIC CABLE SPECIALISTS FRANKLIN, WI 53132 PHONE: (414) 421-3300	
		ANY CHANGES TO THIS DOCUMENT MUST BE SUBMITTED TO THE DESIGN/DRAFTING DEPARTMENT FOR PROPER UPDATE.		SIZE D CASE CODE 66197 SCALE 1/2	LEVEL C/A DWG NO. 6100 SHEET 4 of 4