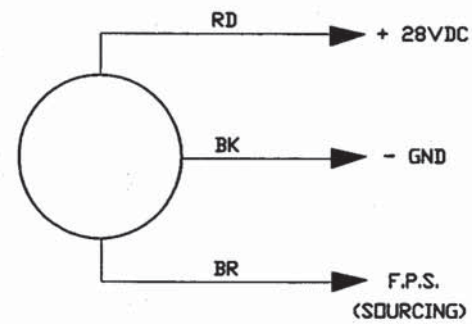
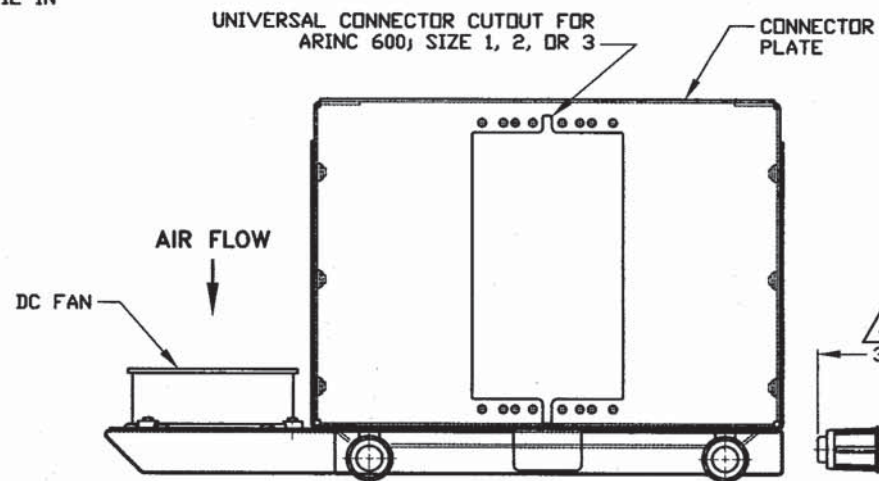
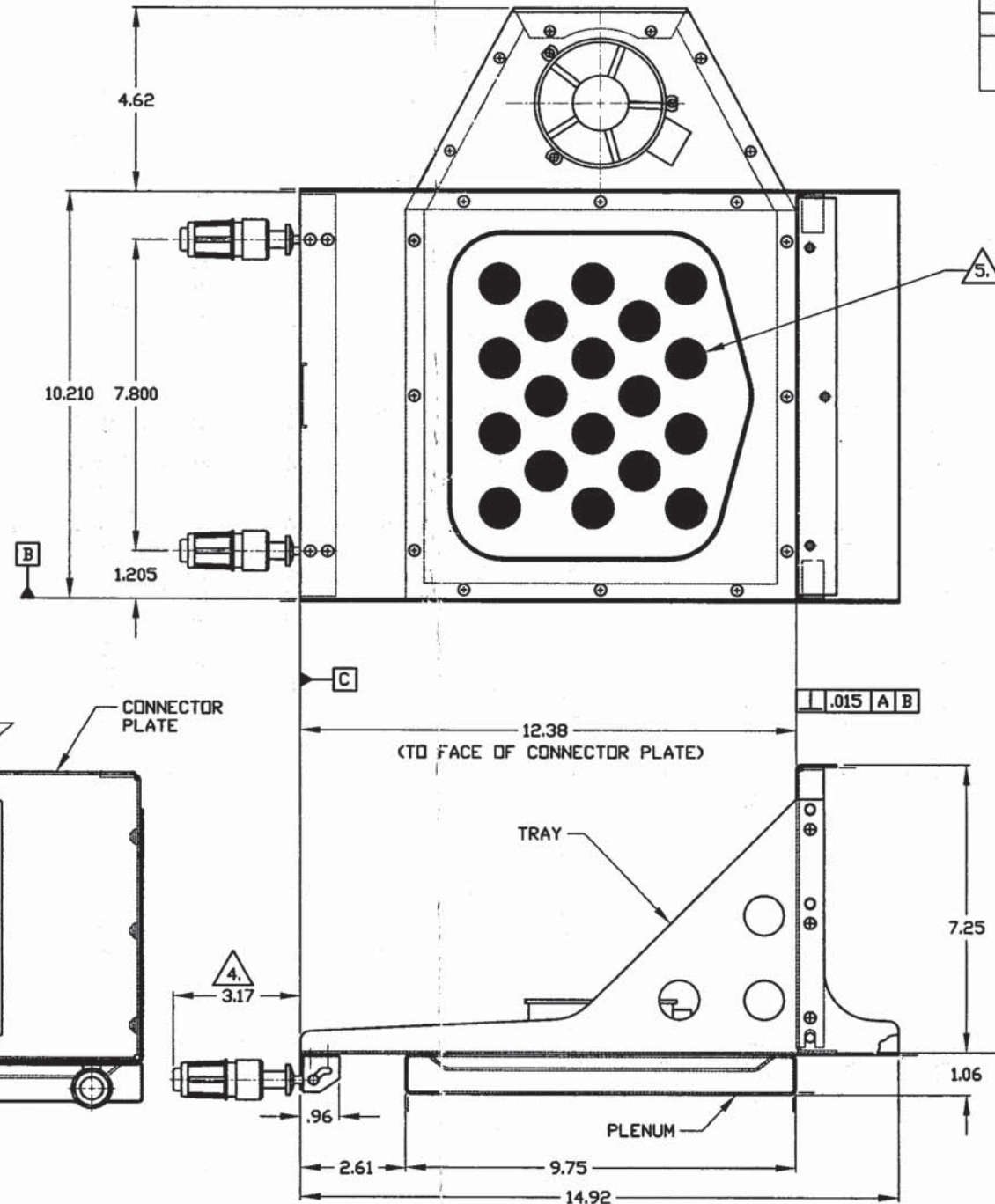


This print and associated documents and the contained information are the confidential property of ELECTRONIC CABLE SPECIALISTS. Disclosure of, and/or reproduction of, all or part thereof or manufacture of any part from information contained on this print not specifically permitted by ELECTRONIC CABLE SPECIALISTS in writing is forbidden.

REVISIONS						
ECN	SHT	ZONE	REV.	DESCRIPTION	DATE	APPROVED
			X	RELEASE FOR CUSTOMER APPROVAL	10/31/02	B. MATHUR
			X1	REVISED FAN WIRING SCHEMATIC.	DRA 11/6/02	PMJ

**NOTES: UNLESS OTHERWISE SPECIFIED
GENERAL NOTES:**

1. DIMENSIONS AND TOLERANCES PER ASME Y14.5M-1994.
2. DESIGNED TO MEET THE APPLICABLE REQUIREMENTS OF THE FOLLOWING:
 - A. ARINC 600-13; 8 MCU
 - B. RTCA/DO-160D ENVIRONMENTAL TEST CONDITIONS.
 1. TEMPERATURE: CAT A2
 2. ALTITUDE: CAT A2
 3. TEMPERATURE VARIATION: CAT B
 4. HUMIDITY: CAT A
 5. OPERATIONAL SHOCK: CAT B
 6. CRASH SAFETY: SUSTAINED, TABLE 7-1, FIXED WING TRANSPORT A/C, FIXED ORIENTATION
 7. VIBRATION: CAT S, CURVE B2.
3. TRAY, PLENUM, AND CONNECTOR PLATE FINISH: CLEAR CHEM FILM PER MIL-C-5541, CLASS 3.
4. MAXIMUM EXTENSION WHEN LRU IS SECURELY FASTENED TO TRAY ASSEMBLY.
5. REMOVE METERING PLUGS FROM TRAY PRIOR TO INSTALLING LRU.
6. FOR PRESSURIZED APPLICATION ONLY. NOT RECOMMENDED FOR INSTALLATION IN UNPRESSURIZED AREAS.
7. ELECTRICAL SPECIFICATIONS (FAN):
 - 28VDC FAN
 - 1.30 AMPS (NOM.)
 - FAN SUPPLIED WITH 12 IN LEADS (26AWG)



FAN WIRING DIAGRAM

ECS PART NO: 200-91171-101

PRODUCT SPECIFICATION DRAWING

THIRD ANGLE PROJECTION		WEIGHTS		UNLESS OTHERWISE SPECIFIED DIMENSIONS ARE IN INCHES TOLERANCES ARE:		CONTRACT NO.		ELECTRONIC CABLE SPECIALISTS FRANKLIN, WI 53132 PHONE: (414) 421-5300	
		STRESS		DECIMALS XXX .010 DO NOT SCALE DRAWING		D. ARFSTEN 10/30/02		B. MATHUR 10/31/02	
CAD GENERATED DOCUMENT ANY CHANGES TO THIS DOCUMENT MUST BE SUBMITTED TO THE DESIGN/DRAFTING DEPARTMENT FOR PROPER UPDATE		- FINAL 020748		PRODUCTION		PROJECT		DATE	
QTY REQD		NEXT/FINAL DWG.		PROJECT NO.		MANUFACTURING		DATE	
APPLICATION		ADDITIONAL APPROVALS		DATE		DATE		DATE	
SIMILAR TO		ACT. WT		6100-101		SCALE		SHEET 1 OF 1	

SIZE	QAGE CODE	LEVEL	DWG NO.
D	66197	C	ECS-201582
SCALE	2/1	RELEASE DATE	